



SINO FUSE

www.sinofuse.com

做最专业的
可靠的熔断器

Table of Content

EV315 3E/3EB Specification	1
EV315-M-5M Specification	3
EV315-M-5N Specification	4
EV325-4GL Specification	5
RS309-MD-EV/EVS Specification	6
RS309-MF-EV EVB (20-100A) Specification	9
RS309-MF-EV (125-630A) Specification	11
RS309-MF-EVS Specification	13
RS309-MF-H Specification	15
RS309-MF-S Specification	18
RS309-MD Specification	21
RS309-MD-EVP/EVPM Specification	24
EV305-6FM Specification	27
EV315-3EN Specification	28
EV315-H-3EB Specification	30
EV315-M-4H Specification	32
EV315-M-4Q Specification	34
EV315-M-5NB/5ND/L-5N Specification	36
EV320-5X/5C Specification	39
EV323 Specification	41
RS306- 690V Specification	44
RS306-1250V Specification	54

Note: specification may be updated, please consult Sinofuse for latest version.

DC500V 10A-50A
Basics

- Performance conforms to JASO D622, environmental reliabilities as per ISO8820, JASO D622 and GB/T31465
- Rated Voltage: DC500V
- Rated Current: 10A~50A
- Rated Breaking Capacity: DC 20kA; Time Constant 2±0.5ms
- Utilization Category: EV
- RoHS compliant.

With excellent withstand to high temperature, vibration, mechanical shock, current shock, chemical load for road vehicles applications. Suitable for EV traction system, power conversion, energy storage, power battery, energy storage capacitors, inverter, car charger, conductor, and other devices and equipment, as well as short-circuit overcurrent and backup protection. Note: all data tested under DC environment, Test parameters and conductor as per JASO D622.

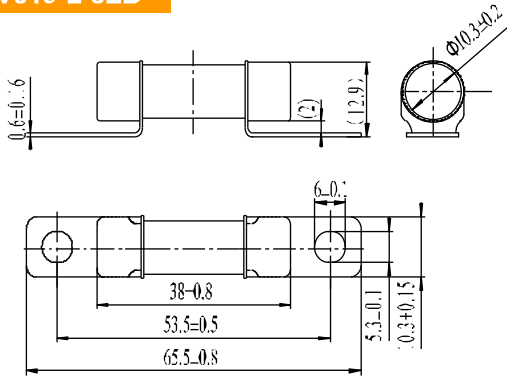
	Part Number	Size	Current (A)	I ² t (A ² s)		Loss (W)	Color	Weight (g)	Min Package (pcs)	Max Package (pcs)	Remark
				Prearc	Clearing						
1	EV315-L-3EB10A	L-3EB	10	19	64	2	Red	12±1	36	576	Bolt M5 Torque 4.5±1N·m
2	EV315-L-3EB15A		15	47	144	3	Blue				
3	EV315-L-3EB20A		20	83	256	4	Yellow				
4	EV315-L-3EB30A		30	333	1025	6	Green				
5	EV315-L-3EB40A		40	748	2306	8	Orange				
6	EV315-L-3EB50A		50	1330	4100	10	White				
7	EV315-L-3E10A	L-3E	10	19	64	2	Red	12±1	36	576	Bolt M5 Torque 4.5±1N·m
8	EV315-L-3E15A		15	47	144	3	Blue				
9	EV315-L-3E20A		20	83	256	4	Yellow				
10	EV315-L-3E30A		30	333	1025	6	Green				
11	EV315-L-3E40A		40	748	2306	8	Orange				
12	EV315-L-3E50A		50	1330	4100	10	White				
13	EV315-M-3E10A	M-3E	10	19	64	2	Red	14±1	40	1200	Middle Bolt M5 Torque 4.5±1N·m
14	EV315-M-3E15A		15	47	144	3	Blue				
15	EV315-M-3E20A		20	83	256	4	Yellow				
16	EV315-M-3E30A		30	333	1025	6	Green				
17	EV315-M-3E40A		40	748	2306	8	Orange				
18	EV315-M-3E50A		50	1330	4100	10	White				
19	EV315-C-3E10A	C-3E	10	19	64	2	Red	9.5±1	48	1728	Cylindrical ferrule
20	EV315-C-3E15A		15	47	144	3	Blue				
21	EV315-C-3E20A		20	83	256	4	Yellow				
22	EV315-C-3E30A		30	333	1025	6	Green				
23	EV315-C-3E40A		40	748	2306	8	Orange				
24	EV315-C-3E50A		50	1330	4100	10	White				

Note: above data obtained under environment: DC520V, 20.6kA, L/R=2.63 ms

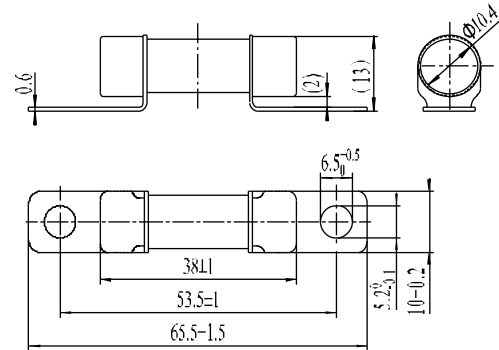
DC500V 10A-50A

Outline Dimensions (mm)

EV315-L-3EB



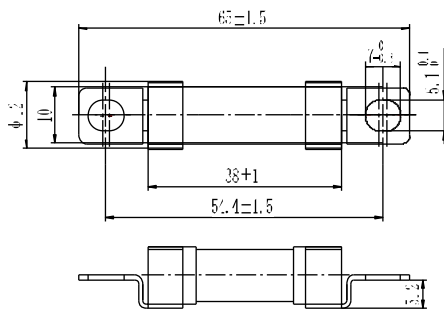
EV315-L-3E



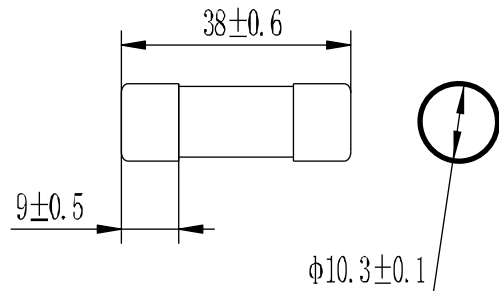
Note: levelness of terminal blades not exceed 0.3

Note: levelness of terminal blades not exceed 0.3

EV315-M-3E



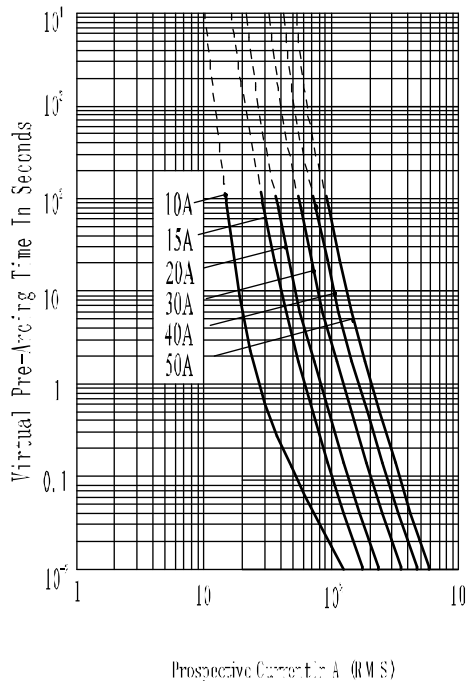
EV315-C-3E



Note: levelness of terminal blades not exceed 0.3

Time-Current Curves

EV315 3EB&3E



Note:

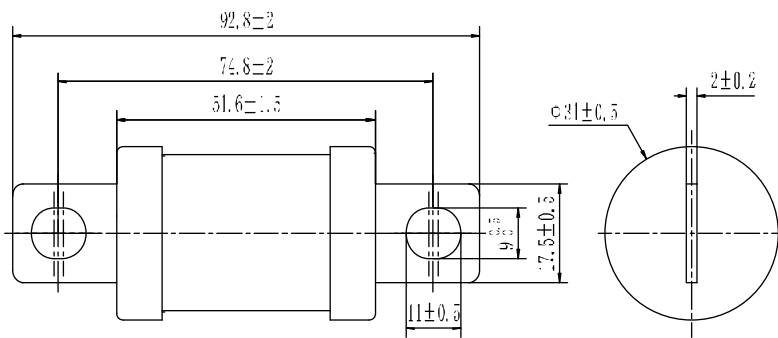
1. Curves: current tolerance $\pm 15\%$
2. Breaking Capacity at least $2I_n$

DC500V 100A-350A
Basics

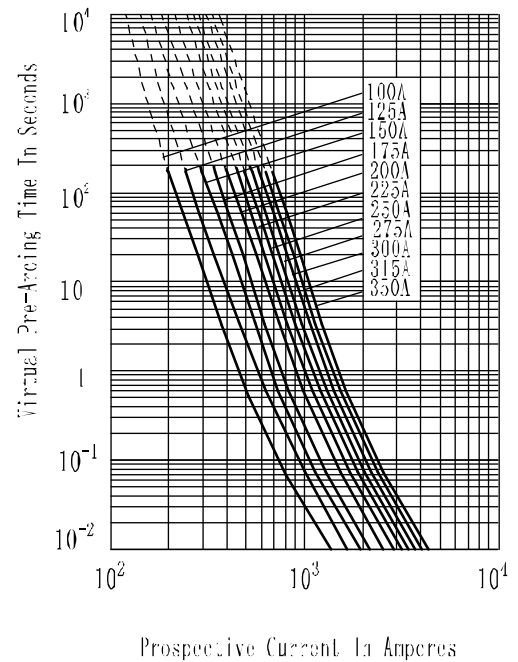
- Performance conforms to JASO D622, environmental reliabilities as per ISO8820, JASO D622 and GB/T31465
- Rated Voltage: 500VDC
- Rated Current: 100A-350A
- Utilization Category: EV
- Breaking capacity: 20kA, time constant: 2 ± 0.5 ms
- RoHS compliant

With excellent withstand to high temperature, vibration, mechanical shock, current shock, chemical load for road vehicles applications. Suitable for EV traction system, power conversion, energy storage, power battery, energy storage capacitors, inverter, car charger, conductor, and other devices and equipment, as well as short-circuit overcurrent and backup protection.

	Part Number	Size	Current (A)	I^2t (A ² s)		Loss W	Weight (g)	Min Package (pcs)	Max Package (pcs)	Mounting
				Prearc	Clearing					
1	EV315-M-5M100A	M-5M	100	1850	5482	19.0	132±5	6	42	Bolt M8 Torque (12±1) N·m
2	EV315-M-5M125A		125	3058	9062	24.0				
3	EV315-M-5M150A		150	4778	14159	28.5				
4	EV315-M-5M175A		175	7399	21928	33.2				
5	EV315-M-5M200A		200	11561	34262	38.0				
6	EV315-M-5M225A		225	16648	49337	41				
7	EV315-M-5M250A		250	22659	67153	45.0				
8	EV315-M-5M275A		275	29596	87710	48.0				
9	EV315-M-5M300A		300	38656	114560	50.0				
10	EV315-M-5M350A		350	60400	179000	63.0				

Outline Dimensions (mm)
EV315-M-5M


Note: levelness of terminal blades not exceed 0.3

Time-Current Curves
EV315-M-5M


Note:

1. Curves: current tolerance $\pm 10\%$
2. Breaking Capacity at least $2I_n$

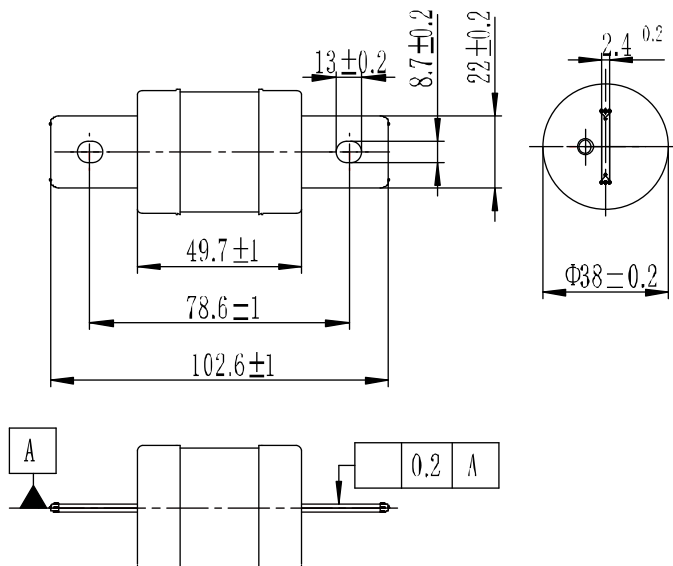
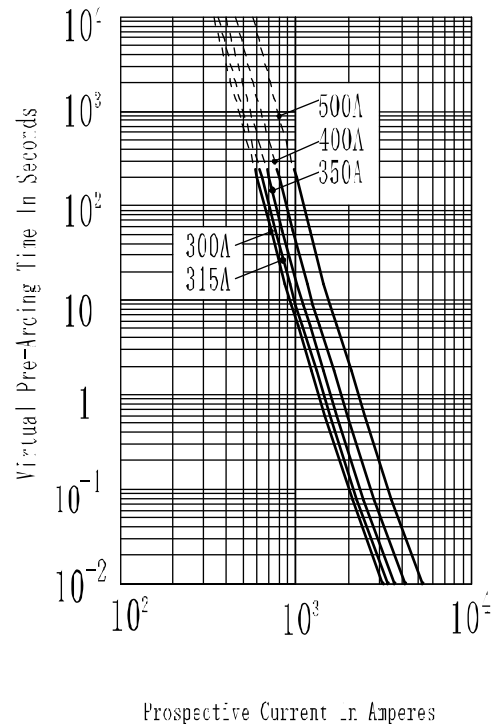
DC500V 300A - 500A
Basics

- Performance conforms to JASO D622, environmental reliabilities as per ISO8820, JASO D622 and GB/T31465
- Rated Voltage: DC500V
- Rated Current: 300A-500A
- Breaking Capacity: 20kA, L/R=2±0.5ms
- RoHS Compliant

With excellent withstand to high temperature, vibration, mechanical shock, current shock, chemical load for road vehicles applications. Suitable for EV traction system, power conversion, energy storage, power battery, energy storage capacitors, inverter, car charger, conductor, and other devices and equipment, as well as short-circuit overcurrent and backup protection.

	Part Number	Size	Current (A)	I^2t (A ² s)		Loss W	Min Package (pcs)	Max Package (pcs)	Mounting
				Prearc	Clearing				
1	EV315-M-5N300A	M-5N	300	24525	89100	54	4	64	Bolt M8 Torque (12±1) N·m
2	EV315-M-5N315A		315	28783	104569	56			
3	EV315-M-5N350A		350	38320	139219	59.5			
4	EV315-M-5N400A		400	55181	200475	68			
5	EV315-M-5N500A		500	98100	356400	80			

Note: above I^2t obtained under 500VDC, 20.4kA and time constant 2.21 ms

Outline Dimensions (mm)
EV315-M-5N

Time-Current Curves
EV315-M-5N


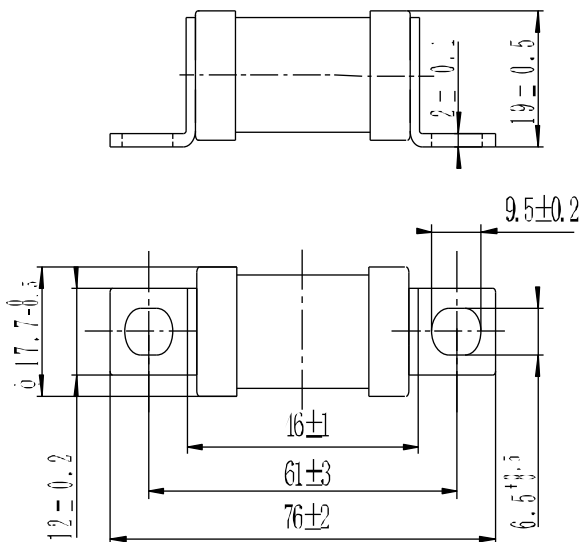
DC750V 16A-100A
Basics

- Performance conforms to JASO D622, environmental reliabilities as per ISO8820, JASO D622 and GB/T31465
- Rated Voltage: DC750V
- Rated Current: 16A-100A
- RoHS Compliant
- Breaking Capacity: 50kA, L/R=2±0.5m

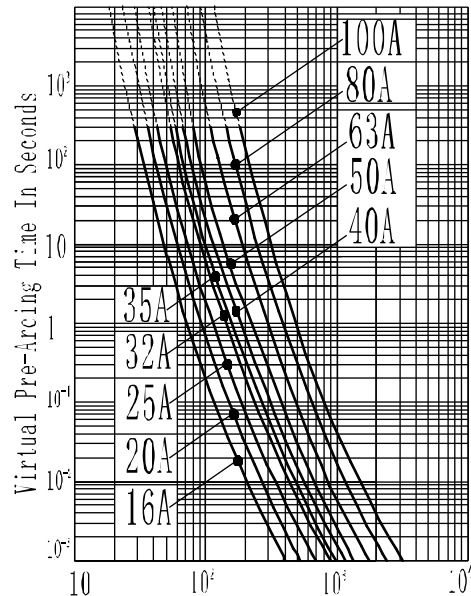
With excellent withstand to high temperature, vibration, mechanical shock, current shock, chemical load for road vehicles applications. Suitable for EV traction system, power conversion, energy storage, power battery, energy storage capacitors, inverter, car charger, conductor, and other devices and equipment, as well as short-circuit overcurrent and backup protection.

	Part Number	Size	Current A	I^2t (A ² s)		Loss W	Weight (g)	Min Package (pcs)	Max Package (pcs)	Mounting
				Prearc	Clearing					
1	EV325-4GL16A	4GL	16	26	144	3.5	40±3	24	384	Bolt M6 Torque (6±1) N·m
2	EV325-4GL20A		20	51	282	3.9				
3	EV325-4GL25A		25	85	467	4.8				
4	EV325-4GL32A		32	152	829	5.9				
5	EV325-4GL40A		40	270	1475	6.9				
6	EV325-4GL50A		50	510	2788	7.9				
7	EV325-4GL63A		63	827	4516	9.8				
8	EV325-4GL80A		80	1688	9216	11.2				
9	EV325-4GL100A		100	3310	19200	12.5				

Note: above I^2t data obtained under 750VDC, 50kA and time constant 5.49 ms

Outline Dimensions (mm)
EV325-4GL


Note: levelness of terminal blades not exceed 0.3

Time-Current Curves
EV325-4GL


Prospective Current In A(DC)

Note:

1. Curves: current tolerance ±10%
2. Breaking Capacity at least $2I_n$

DC500V 50 - 630A

Basics

- Performance conforms to IEC 60269, environmental reliabilities as per ISO 8820 and GB/T 31465
- Rated Voltage: DC500V
- Rated Current: 50A-630A
- Utilization Category: EV
- Breaking capacity: DC20kA (time constant: 2±0.5ms)
- RoHS compliant

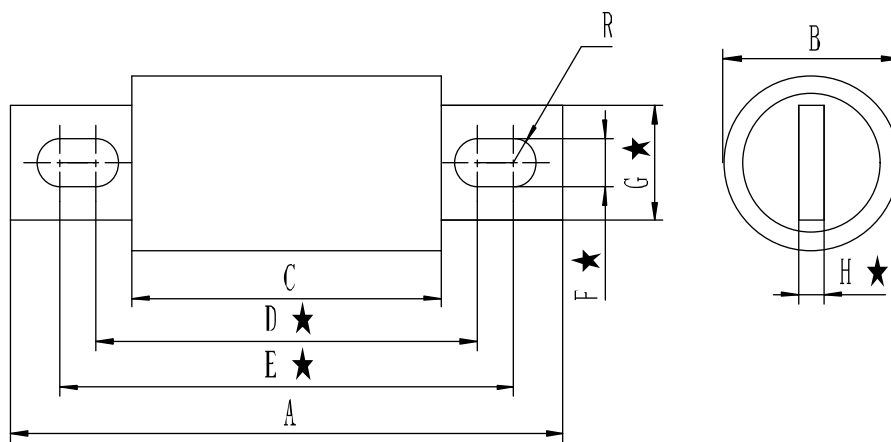
Designed for road vehicles applications, conforms to environment requirements. Features in wider breaking range and low I²t value; Used for HV electric system as backup protection of power battery, drive power, power conversion systems and charging equipment. Also suitable for backup protection of relays, disconnectors, circuit breakers and super capacitors.

Note: Test data based on DC conditions, test environment and parameters conform to GB/T 31465;

	Part Number	Size	Current A	I ² t (A ² s)		Loss W		Weight (g)	Min Package (pcs)	Max Package (pcs)	Mounting
				Prearc	Clearin	0.5 I _n	I _n				
1	RS309-MD-EVS50A-D	3XA	50	289	1089	2.5	12	49±3	7	112	Bolt M8 Torque 12±1N·m
2	RS309-MD-EVS60A-D		60	408	1530	2.9	14				
3	RS309-MD-EVS70A-D		70	551	2150	3.4	16				
4	RS309-MD-EVS80A-D		80	850	3250	4	19				
5	RS309-MD-EVS100A-D		100	1340	5050	5.3	25				
6	RS309-MD-EVS125A-D		125	1980	7580	6.1	29				
7	RS309-MD-EVS150A-D		150	3050	11400	6.9	33				
8	RS309-MD-EVS125A		125	1980	7580	6.1	29				
9	RS309-MD-EVS150A		150	3050	11400	6.9	33				
10	RS309-MD-EVD100A	4ZA	100	1150	4500	5	22	81±5	6	96	
11	RS309-MD-EVD125A		125	1800	7600	6.1	27				
12	RS309-MD-EVD150A		150	2750	12900	7.4	33				
13	RS309-MD-EVD175A		175	3350	13700	8.4	37.5				
14	RS309-MD-EVS200A		200	4700	21400	7.4	33				
15	RS309-MD-EVS250A		250	7700	34700	9.7	43				
16	RS309-MD-EVD225A	5ZA	225	5200	20300	9.5	39.6	143±8	5	80	
17	RS309-MD-EVD250A		250	8100	24300	11	46				
18	RS309-MD-EVS300A		300	12200	39600	13	54				
19	RS309-MD-EVS350A		350	17000	72600	15	61				
20	RS309-MD-EVS400A	400	22500	94800	16	67					
21	RS309-MD-EVS450A	6ZA	450	33800	140000	17.9	70	219±10	5	70	
22	RS309-MD-EVS500A		500	41700	172000	19.4	76				
23	RS309-MD-EVS550A		550	56500	249000	22.7	89				
24	RS309-MD-EVS630A		630	80000	339000	26.3	103				
25	RS309-MD-EV125A	5ZA	125	1550	7100	5.8	24	143±8	5	80	
26	RS309-MD-EV150A		150	2230	10800	6.7	28				
27	RS309-MD-EV200A		200	3970	18700	9.6	40				
28	RS309-MD-EV250A	6ZA	250	7400	34200	11.2	44	219±10	5	70	
29	RS309-MD-EV300A		300	10700	49000	12.2	48				
30	RS309-MD-EV350A		350	15900	76800	16.6	65				
31	RS309-MD-EV400A		400	20500	94300	18.6	73				
32	RS309-MD-EV450A	7ZB	450	29700	68300	24.5	89	390±12	3	48	
33	RS309-MD-EV500A		500	39600	96600	25	91				
34	RS309-MD-EV550A		550	49100	152000	29.4	107				
35	RS309-MD-EV630A		630	62000	181000	32	116				

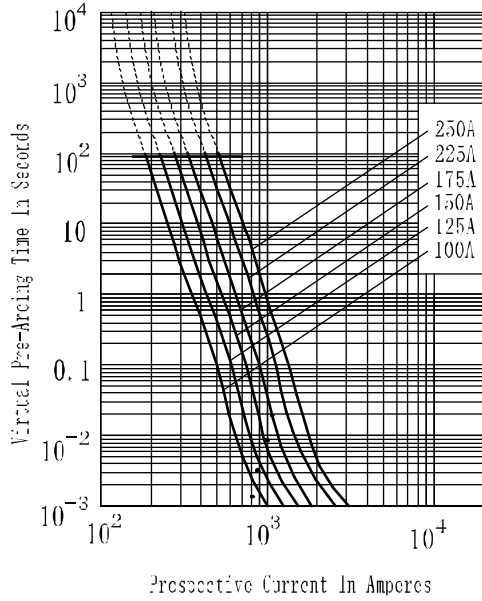
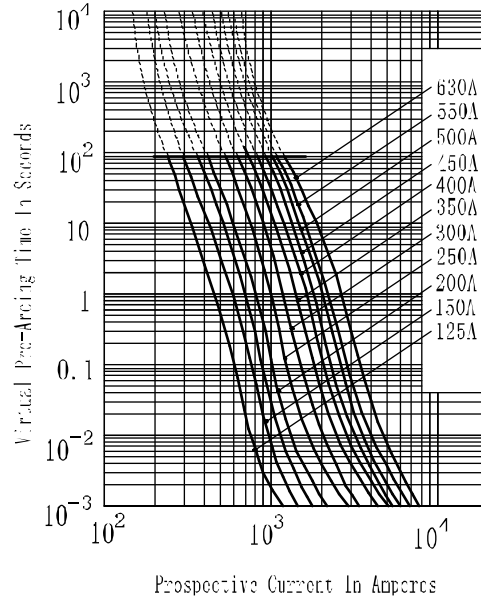
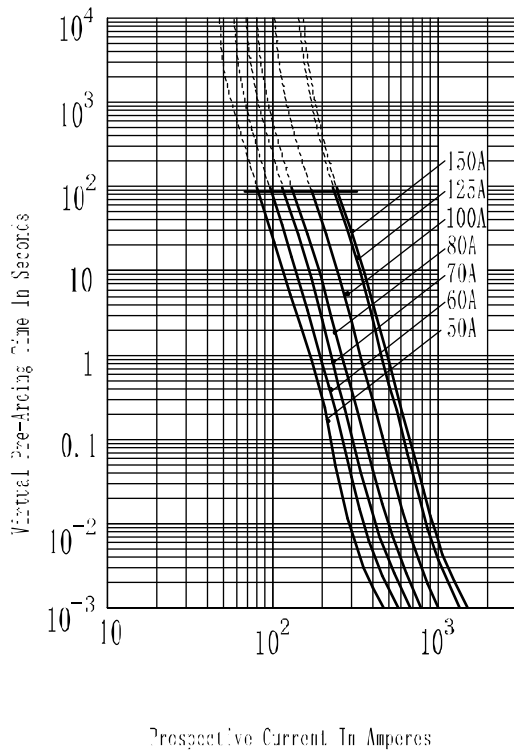
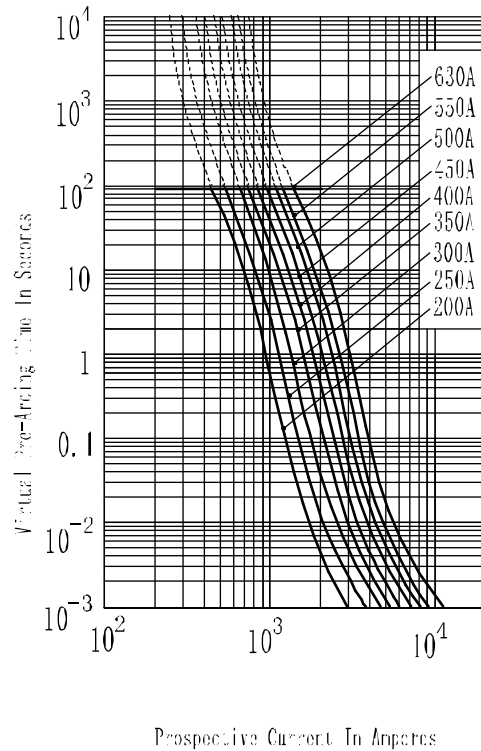
DC500V 50 - 630A

- Note: 1. Above data are under standard test environment: 500+2V and time constant 2 ± 0.5
2. Rated loss testing after 15 min rated current, with ambient temp $23 \pm 5^\circ\text{C}$ and humidity 45%-75%;
3. Connector: I_n up to 250A, conform to GB/T 31465;
 $I_n > 250\text{A}$, conform to GB 13539.

Outline Dimensions (mm)
Mounting


Size	A ± 2	B ± 0.5	C ± 0.5	D ± 1.5	E ± 1.5	F ± 0.5	G ± 0.5	H ± 0.2
3XA	81	20	40	55	65	9	15	3.3
4ZA	92.2	24	53	68	77	9	18	3.2
5ZA	92.2	31	53	68	75	9	22	5
6ZA	109	37	53	70	87	10.5	25	6
7ZB	110	49	53	70.6	89.8	10.5	38	6

Note: levelness of terminal blades max 0.3

DC500V 50 - 630A
Time-Current Curves
RS309-MD-EVD curves

RS309-MD-EV curves

RS309-MD-EVS/EVS-D curves

RS309-MD-EVS curves


Note: 1) $I_{1, 2}$ breaking test voltage: DC500+2V; Time constant: 2 ± 0.5 ms;

2) Minimum breaking current at least $2I_n$;

3) Above curves below 100ms are equivalent time;

4) I_n at least 175A, Curves current tolerance $\pm 10\%$; $I_n < 175$ A, Curves current tolerance $\pm 15\%$;

5) $I_n < 175$ A, $5I_n$ prearc time: 0.01-0.5s;

AC/DC750V 20-100A

Basics

- Performance conforms to IEC 60269, senvironmental reliabilities as per ISO 8820 and GB/T 31465
- Rated Voltage: AC/DC750V
- Rated Current: 20A~100A
- Protection: EV/HEV
- Breaking capacity: DC50kA (time constant up to 10ms) AC100KA
- RoHS compliant.

This fuse series features high breaking capacity and large protection range and is suitable for road applications. By having large surge-current withstand, it can be applied to circuits with large capacitor/inductor/in-rush current such as air condition, motor and steering.

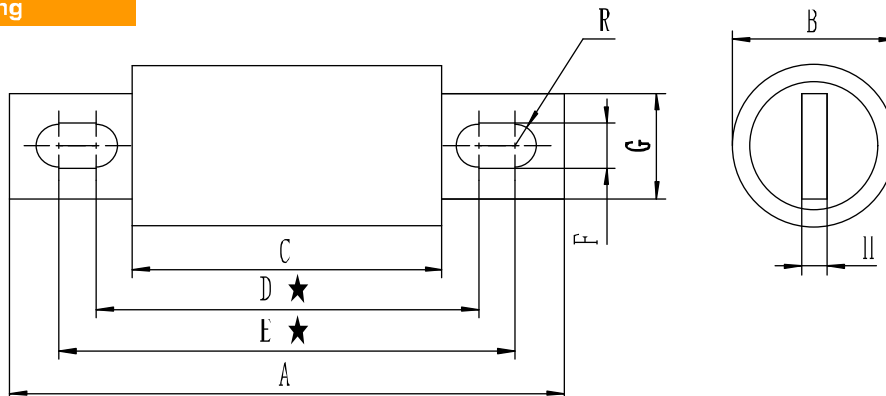
Note: all data are obtained under DC condition and test condition per IEC 60269.

	Part Number	Size	Current A	I ² t (A ² s)		Loss W	Weight g	Min Package (pcs)	Max Package (pcs)	Mounting
				Prearc	Clearing					
1	RS309-MF-EV20A	3SA	20	135	394	3.1	65±3	9	126	Bolt M8 Torque 12±1N.m
2	RS309-MF-EV25A		25	266	719	4.4				
3	RS309-MF-EV30A		30	347	969	5.6				
4	RS309-MF-EV35A		35	439	1190	7.2				
5	RS309-MF-EV40A		40	542	1360	8.5				
6	RS309-MF-EV45A		45	656	1830	9.7				
7	RS309-MF-EV50A		50	780	2110	11				
8	RS309-MF-EV60A		60	1220	3390	13				
9	RS309-MF-EV70A		70	1760	4860	15				
10	RS309-MF-EV80A		80	2060	5290	19				
11	RS309-MF-EV90A		90	3120	7810	20				
12	RS309-MF-EV100A		100	4100	11300	23				
13	RS309-MF-EVB70A	4SB	70	1760	4860	15	95±5	8	112	
14	RS309-MF-EVB80A		80	2060	5290	19				
15	RS309-MF-EVB90A		90	3120	7810	20				
16	RS309-MF-EVB100A		100	4100	11300	23				

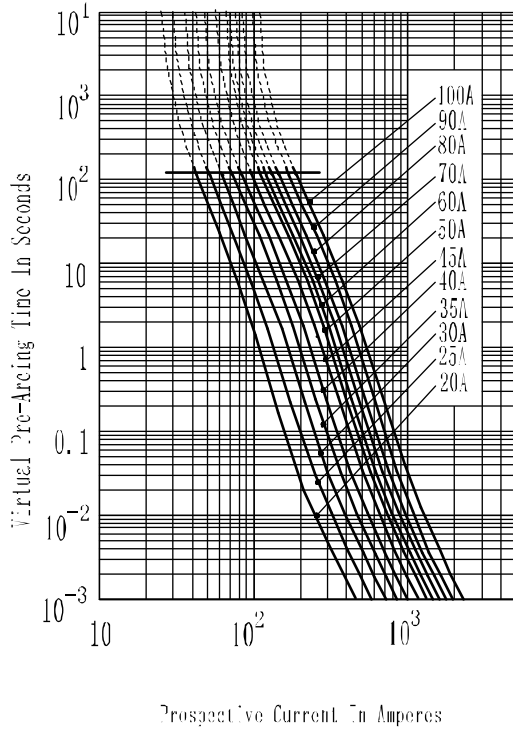
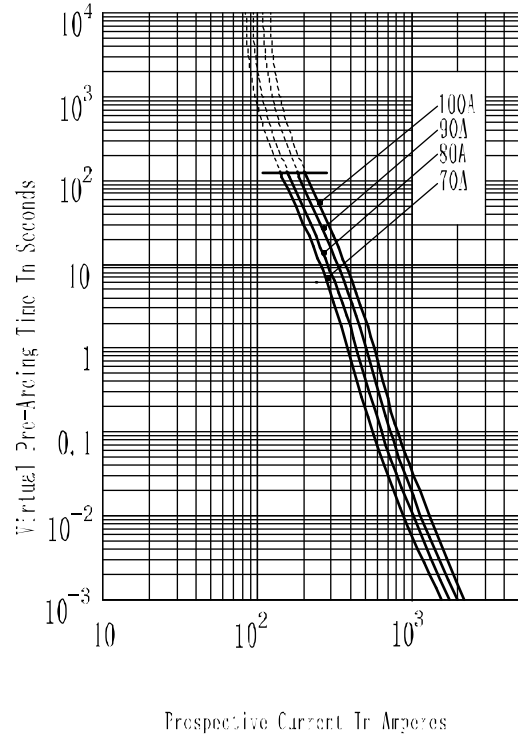
Note: above I²t data obtained under 750+5%V; I₁ time constant 10~11 ms and others at 0.5×I^{0.3} ms

Outline Dimensions (mm)

Mounting



Size	A±2	B±0.5	C±0.5	D±1.5	E±1.5	F±0.5	G±1	H±0.2
3SA	110	20	66	84	95.5	9	15	3.3
4SB	110	24	66	84	95.5	9	18	3.2

AC/DC750V 20-100A
Time-Current Curves
RS309-MF-EV (20-100A)

RS309-MF-EVB(70-100A)


- Note: 1. Current tolerance of characteristic curves $\pm 10\%$
 2. Min breaking current at least $2I_n$

DC800V 125-630A
Basics

- Conforms to IEC 60269, ISO 8820 and GB/T 31465
- Rated Voltage: DC800V
- Rated Current: 125A ~ 630A
- Protection: EV/HEV
- Breaking capacity: DC20kA (time constant 2 ± 0.5 ms)
- RoHS Compliant

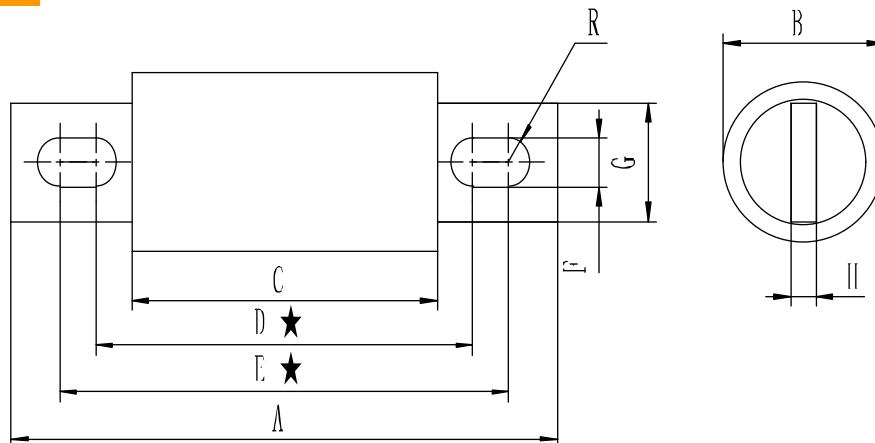
Designed for road vehicles applications, conforms to environment requirements. Features in wider breaking range and low I^2t value; Used for HV electric system as backup protection of power battery, drive power, power conversion systems and charging equipment. Also suitable for backup protection of relays, disconnectors, circuit breakers and super capacitors.

	Part Number	Size	Current A	I^2t (A ² s)		Loss W	Weight g	Min Package (pcs)	Max Package (pcs)	Mounting
				Prearc	Clearing					
1	RS309-MF-EV125A	6TA	125	1720	5690	41	256±10	3	60	Bolt M10 Torque 21±1N.m
2	RS309-MF-EV150A		150	2690	9100	47				
3	RS309-MF-EV200A		200	5780	20000	58				
4	RS309-MF-EV250A		250	11100	39200	66				
5	RS309-MF-EV300A		300	16600	59900	78				
6	RS309-MF-EV350A		350	24900	91800	87				
7	RS309-MF-EV400A		400	34000	128000	97				
8	RS309-MF-EV450A	7TA	450	46400	158000	108	447±15	3	42	
9	RS309-MF-EV500A		500	61100	208000	120				
10	RS309-MF-EV630A		630	112200	381000	150				

Note: 1. Above data are under standard test environment: 800+2V, time constant 2 ± 0.5 ms.

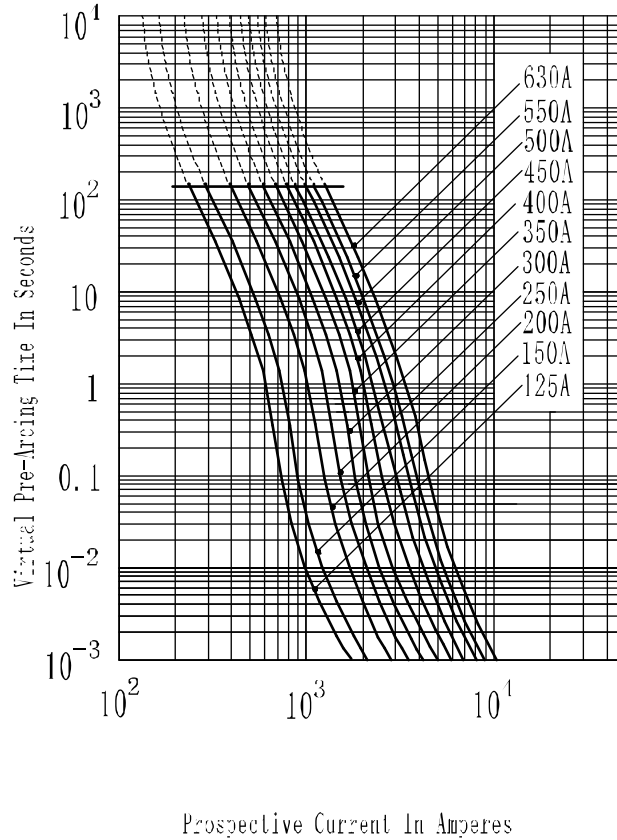
2. Rated loss testing after 15 min rated current, with ambient temp $23\pm 5^\circ\text{C}$ and humidity 45%-75%;

3. Connector: I_r up to 250A, conform to GB/T 31465;
 $I_r > 250$ A, conform to GB 13539.

Dimensions (mm)
Mounting


Size	A±2	B±0.5	C±0.5	D±1.5	E±1.5	F±0.5	G±1	H±0.2
6TA	129	37	72	89	109	10.5	25	6
7TA	129	49	72	89.5	109	10.5	38	6

Note: levelness of terminal blades max 0.3

DC800V 125-630A
Time-Current Curves
RS309-MF-EV (125-630A)


- Note: 1) I_1, I_2 breaking test voltage: DC800+2V; Time constant: 2 ± 0.5 ms;
 2) Minimum breaking current at least $2I_n$;
 3) Above curves below 100ms are equivalent time;
 4) Prearc time-Curves current tolerance $\pm 15\%$;
 5) $3I_n$: prearc time 20S-50S; $5I_n$: 0.5S-5S;

DC750V 10A-60A

Basics

- Performance conforms to ISO8820 and GB/T31465
- Rated Voltage: DC750V
- Rated Current: 10A-60A
- Protection: EV/HEV
- Breaking capacity: DC20kA (time constant: $2 \pm 0.5\text{ms}$)
- RoHS compliant

Designed for road vehicle applications to meet the requirements of environment and working conditions. It has high breaking range and withstand to current shock; it is suitable for circuits with high current shock, such as air conditioning circuits, current/voltage conversion circuits and other circuits with large capacitance or inductance.

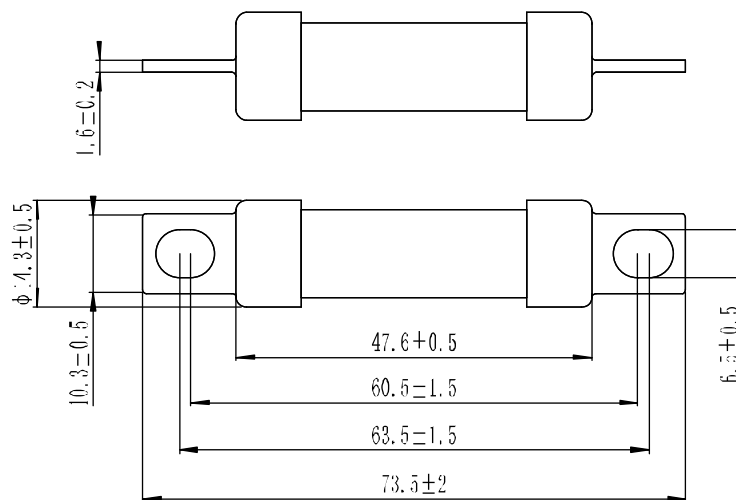
Note: all data are obtained under DC condition and circuits as per GB/T 31465.

	Part Number	Size	Current A	I ² t (A ² s)		Loss W	Weight (g)	Min Package (pcs)	Max Package (pcs)	Mounting
				Prearc	Clearing					
1	RS309-MF-EVS10A	2YA	10	12	35	2	26±1	10	160	Bolt M6 Torque 6±1N.m
2	RS309-MF-EVS16A		16	47	139	3.3				
3	RS309-MF-EVS20A		20	132	370	4				
4	RS309-MF-EVS25A		25	258	767	4.5				
5	RS309-MF-EVS30A		30	427	1220	5				
6	RS309-MF-EVS35A		35	638	1850	5.5				
7	RS309-MF-EVS40A		40	891	2510	6				
8	RS309-MF-EVS50A		50	1709	5050	7				
9	RS309-MF-EVS60A		60	2110	6280	8				

Note: I²t are under standard environment, 750+2V, time constant $2 \pm 0.5\text{ms}$

Dimensions (mm)

Mounting

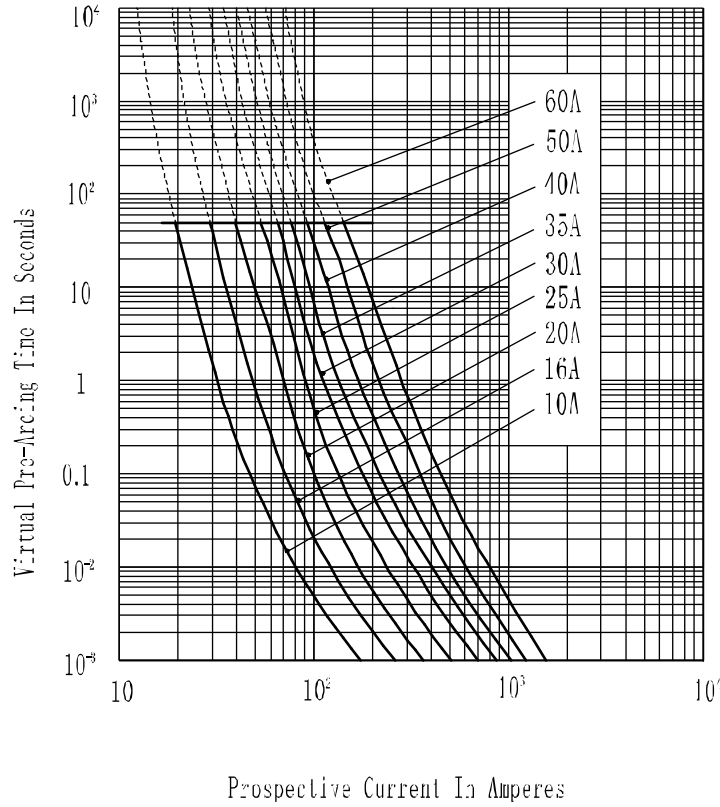


Note: levelness of terminal blades max 0.3

DC750V 10A-60A

Characteristic Curves

Time-Current Curves



- Note: 1. Current tolerance of characteristic curves $\pm 10\%$
 2. Min breaking current at least $2I_n$

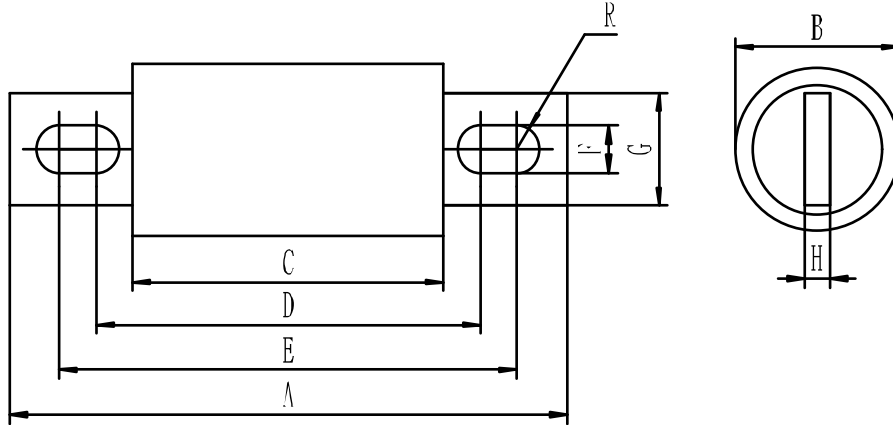
AC/DC700V(IEC)&750V(UL) H5A-H800A
Basics

- Rated Voltage: AC/DC700V(IEC), DC750V(UL)
- Rated Current: 5A~800A
- Protection: aR
- Breaking Capacity: AC100kA, DC50kA (time constant up to 15ms)
- Conform to UL248 and IEC60269, Safety and reliability conform to ISO8820
- CE and UL certified (no including H5-H30A), RoHS Compliant

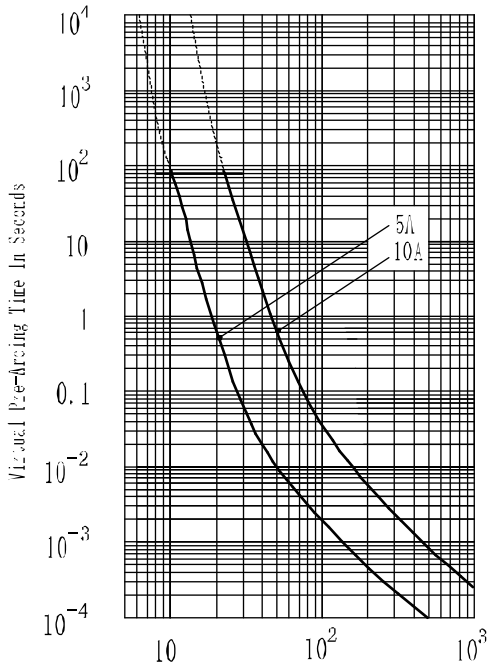
Features in compact, low I²t, HRC, high withstand to current shock, vibration, mechanical shock, current shock, chemical load for road vehicles applications. Suitable for EV traction system, power conversion, energy storage, power battery, energy storage capacitors, inverter, charger, conductor, and other devices and equipment, as well as short-circuit overcurrent and backup protection. Safety and reliability conform to UL/CSA.

Note: all data are obtained under DC condition: Current I at least 20kA and time constant 10~15ms, Current I<20kA and time constant 0.5*10.3 and connector as per IEC60269/UL248.

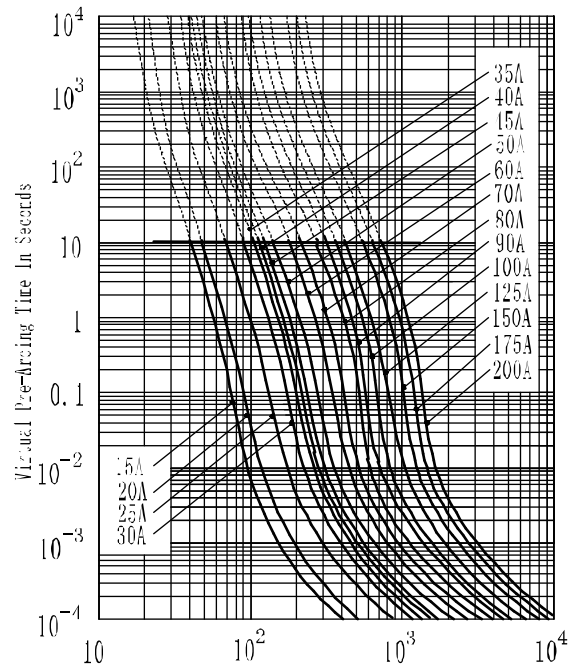
	Part Number	Size	Current A	I ² t (A ² s)		Loss W	Weight (g)	Min Package (pcs)	Max Package (pcs)	Mounting
				Prearc	Clearing					
1	RS309-MF-H5A	3SA	5	20	73	1.5	65±3	9.0	126.0	Bolt M8 Torque 12±1N.m
2	RS309-MF-H10A		10	176	588	3.5				
3	RS309-MF-H15A		15	26	92	5				
4	RS309-MF-H20A		20	38	133	6				
5	RS309-MF-H25A		25	67	250	7				
6	RS309-MF-H30A		30	105	386	8				
7	RS309-MF-H35A		35	127	442	10				
8	RS309-MF-H40A		40	151	586	12				
9	RS309-MF-H45A		45	178	604	13.5				
10	RS309-MF-H50A		50	237	839	15.5				
11	RS309-MF-H60A		60	400	1700	18.5				
12	RS309-MF-H70A		70	532	2400	18				
13	RS309-MF-H80A		80	800	3400	20				
14	RS309-MF-H90A		90	1150	5000	23.5				
15	RS309-MF-H100A		100	1600	6900	25				
16	RS309-MF-H125A	6TA	125	2310	8500	28	256±10	3	60	Bolt M10 Torque 21±1N.m
17	RS309-MF-H150A		150	3600	14900	32				
18	RS309-MF-H175A		175	5190	21200	36				
19	RS309-MF-H200A		200	7250	29900	42				
20	RS309-MF-H225A		225	8070	31500	45				
21	RS309-MF-H250A		250	11900	49500	47.5				
22	RS309-MF-H275A		275	14900	59000	51				
23	RS309-MF-H300A		300	18200	73500	56				
24	RS309-MF-H325A		325	21800	88000	60				
25	RS309-MF-H350A		350	27800	108600	64				
26	RS309-MF-H400A	400	37000	152900	77	447±15	3	42		
27	RS309-MF-H450A	450	42100	167400	95					
28	RS309-MF-H500A	500	53300	215600	105					
29	RS309-MF-H600A	600	79700	336500	120					
30	RS309-MF-H700A	700	106100	431300	135					
31	RS309-MF-H800A	7TA	800	159800	632300	160				

AC/DC700V(IEC)&750V(UL) H5A-H800A
Dimensions (mm)
Mounting


Size	A ± 2	B ± 0.5	C ± 0.5	D ± 1.5	E ± 1.5	F ± 1	G ± 1	H ± 0.2
3SA	110	20	66	84	95	9	15	3.3
6TA	129	37	72	89	109	10.5	25	6
7TA	129	49	72	89.5	109	10.5	38	6

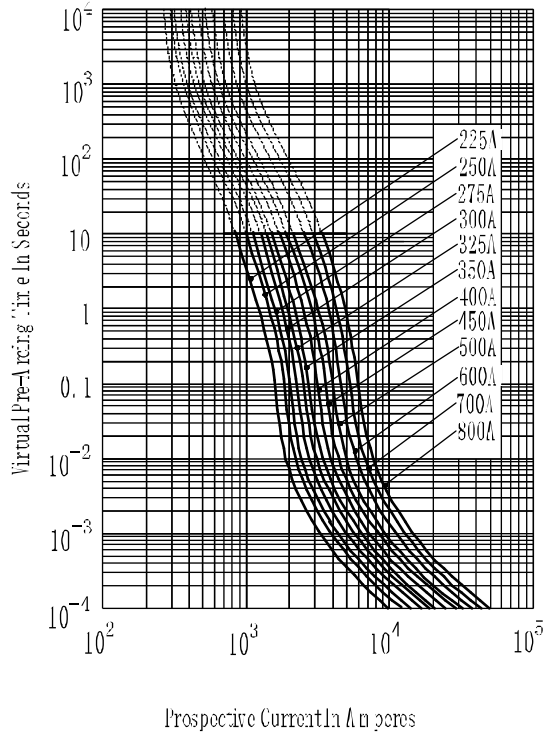
Characteristic Curves
Time-Current


Prospective Current In Amperes

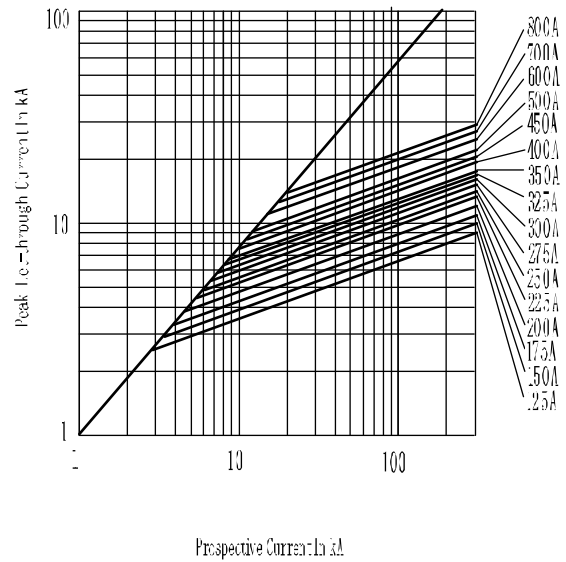
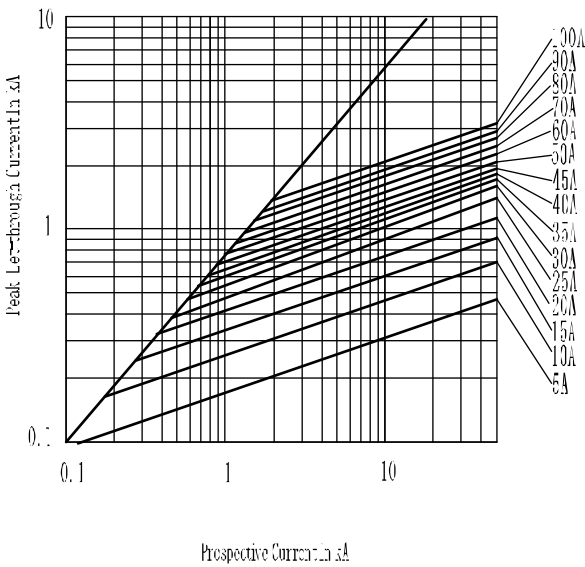


Prospective Current In Amperes

AC/DC700V(IEC)&750V(UL) H5A-H800A



Peak Let-Through



- Note: 1. Current tolerance of characteristic curves $\pm 10\%$
- 2. Min breaking current: I_n up to 100A, 3.5I_n; $I_n > 100A$, 5I_n

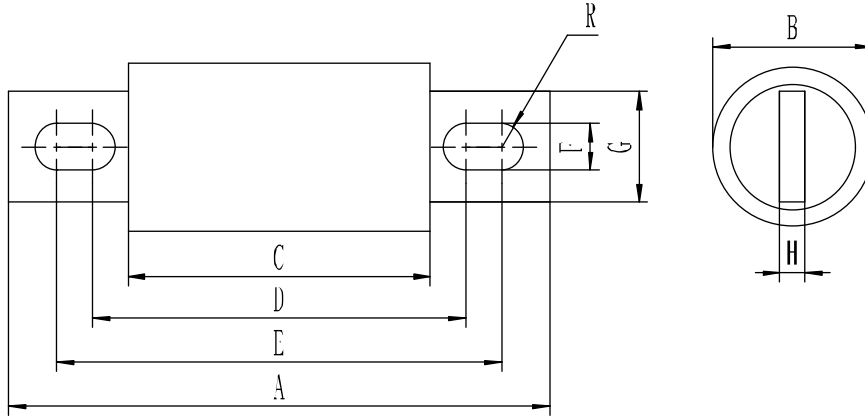
AC/DC700V(IEC)&750V(UL)
Basics

- Rated Voltage: AC/DC700V(IEC), DC750V(UL)
- Rated Current: 70A~800A
- Protection: aR
- Breaking Capacity: AC100kA, DC50kA(time constant up to15ms)
- Conform to UL248 and IEC60269; Safety and reliability conforms to ISO8820
- CE and UL certified, RoHS compliant

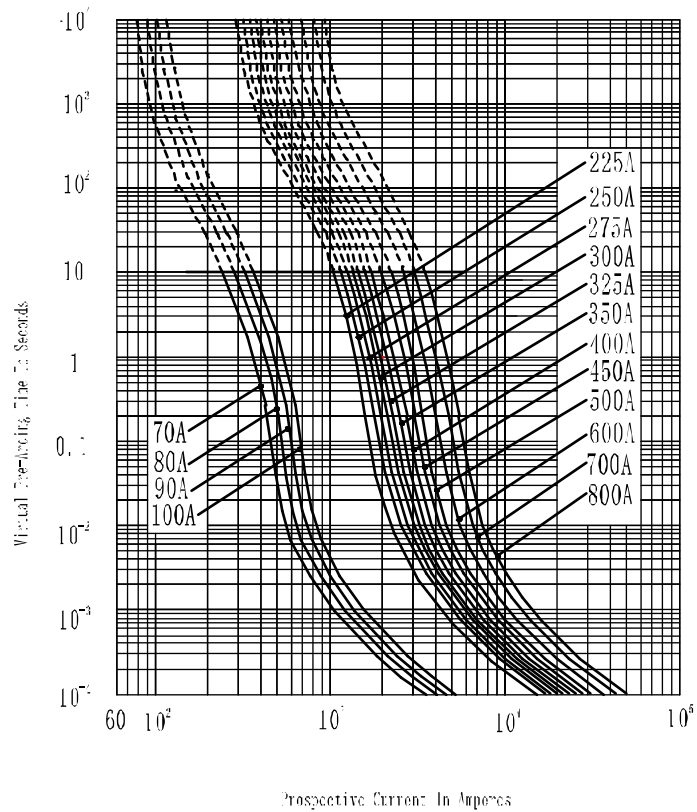
Features in compact, low I^2t , HRC, high withstand to current shock, vibration, mechanical shock, current shock, chemical load for road vehicles applications. Suitable for EV traction system, power conversion, energy storage, power battery, energy storage capacitors, inverter, charger, conductor, and other devices and equipment, as well as short-circuit overcurrent and backup protection. Safety and reliability conform to UL/CSA.

Note: all data are obtained under DC condition: Current I at least 20kA and time constant 10~15ms, Current $I < 20kA$ and time constant 0.5×10^{-3} and connector as per IEC60269/UL248.

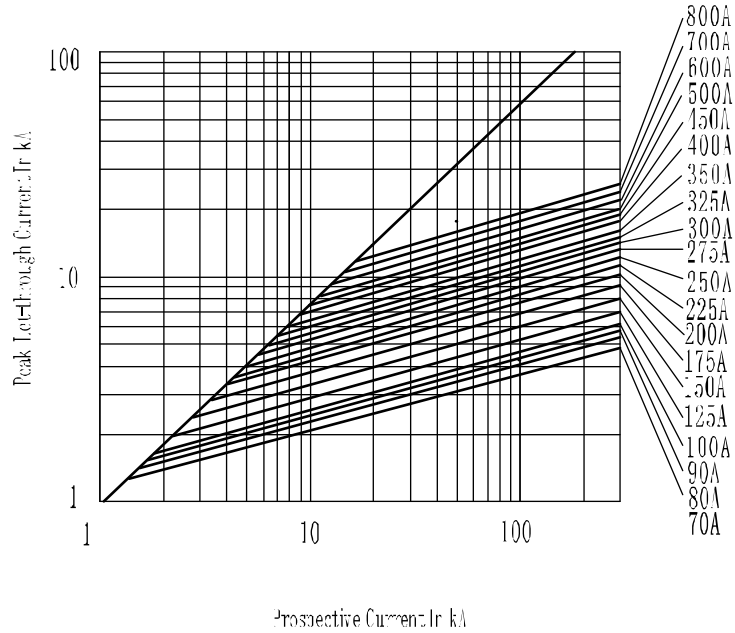
	Part Number	Size	Current A	I^2t (A ² s)		Loss W	Weight (g)	Min Package (pcs)	Max Package (pcs)	Mounting
				Prearc	Clearing					
1	RS309-MF-S70A	3SA	70	710	1900	18	65±3	9	126	Bolt M8 Torque 12±1N·m
2	RS309-MF-S80A		80	1100	3100	20				
3	RS309-MF-S90A		90	1500	4400	23.5				
4	RS309-MF-S100A		100	2100	6300	25				
5	RS309-MF-S125A	5TA	125	2670	8290	30	185±10	6	84	
6	RS309-MF-S150A		150	4170	12280	35				
7	RS309-MF-S175A		175	6000	19600	39				
8	RS309-MF-S200A	6TA	200	8500	28300	45	256±10	3	60	
9	RS309-MF-S225A		225	9500	33300	45				
10	RS309-MF-S250A		250	14000	46600	47.5				
11	RS309-MF-S275A		275	17500	59100	51				
12	RS309-MF-S300A		300	21400	75300	56				
13	RS309-MF-S325A		325	25600	88500	60				
14	RS309-MF-S350A	7TA	350	32700	114000	64	447±15	3	42	
15	RS309-MF-S400A		400	43600	152000	77				
16	RS309-MF-S450A		450	49600	147000	95				
17	RS309-MF-S500A		500	62800	172000	105				
18	RS309-MF-S600A		600	93800	281000	120				
19	RS309-MF-S700A		700	124800	360000	135				
20	RS309-MF-S800A		800	188000	560000	160				

AC/DC700V(IEC)&750V(UL)
Dimensions (mm)
Mounting


Size	A±2	B±0.5	C±0.5	D±1.5	E±1.5	F±1	G±1	H±0.2
3SA	110	20	66	84	95.5	9	15	3.3
5TA	111.2	31	72	87	94	9	22	5
6TA	129	37	72	89	109	10.5	25	6
7TA	129	49	72	89.5	109	10.5	38	6

Characteristic Curves
Time-Current


Peak Let-Through



- Note: 1. Current tolerance of characteristic curves $\pm 10\%$
 2. Min breaking current: I_n up to 100A, $3.5I_n$, $I_n > 100A$, $5I_n$

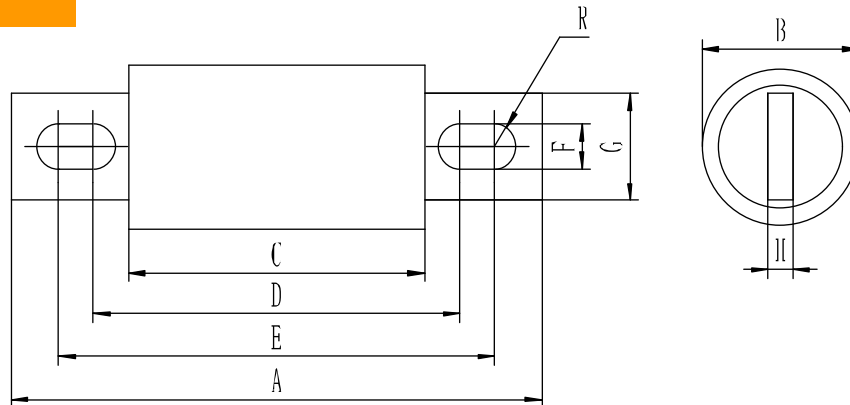
AC/DC500V 35A-800A
Basics

- Conform to UL248, GB/T 13539.4, IEC60269, ISO8820, GB/T 31465
- Rated Voltage: AC/DC500V
- Rated Current: 35A~800A
- Protection: aR
- Breaking Capacity: AC200kA, DC50kA (time constant 10~15ms)
- CCC, CE, UL Certified (700A~800A: no UL certified), RoHS compliant

Features in compact, low I²t HRC. Suitable for HV EV traction system, power battery system, drive power system, power conversion system and charging equipment short-circuit protection. Also be used in the traditional semiconductor device as short-circuit protection. Safety and reliability conform to UL/CSA.

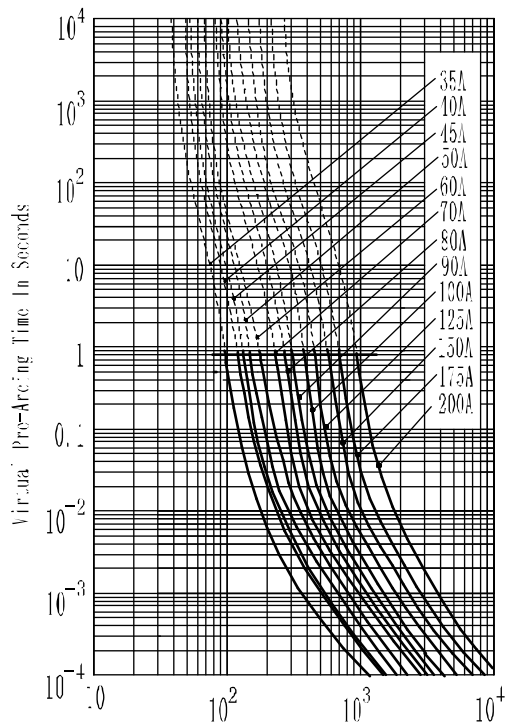
Note: all data are obtained under DC condition: Current I at least 20kA and time constant 10~15ms, Current I<20kA and time constant 0.5*I0.3, (DC530~550V) and connector as per IEC60269,GB/T 13539.4.

	Part Number	Size	Current A	I ² t (A ² s)		Loss W	Weight (g)	Min Package (pcs)	Max Package (pcs)	Mounting
				Prearc	Clearing					
1	RS309-MD-35A	3XA	35	58	235	9.3	49±3	7	112	Bolt M8 Torque 12±1N.m
2	RS309-MD-40A		40	134	505	9.5				
3	RS309-MD-45A		45	162	610	12				
4	RS309-MD-50A		50	209	890	13				
5	RS309-MD-60A		60	305	930	14				
6	RS309-MD-70A	4ZA	70	328	1190	18	81±5	6	96	
7	RS309-MD-80A		80	485	1650	18				
8	RS309-MD-90A		90	580	1860	21				
9	RS309-MD-100A		100	825	2880	23				
10	RS309-MD-125A	5ZA	125	1350	4030	26	143±8	5	80	
11	RS309-MD-150A		150	1880	8100	32				
12	RS309-MD-175A		175	3550	15900	37				
13	RS309-MD-200A		200	5860	25300	37				
14	RS309-MD-225A	6ZA	225	7560	32500	48	219±10	5	70	
15	RS309-MD-250A		250	10600	41000	55				
16	RS309-MD-275A		275	14500	48900	57				
17	RS309-MD-300A		300	17800	62500	63				
18	RS309-MD-325A		325	21600	83000	60				
19	RS309-MD-350A		350	25400	90500	62				
20	RS309-MD-400A	7ZB	400	31000	116000	75	389±12	3	48	
21	RS309-MD-450A		450	38100	155000	76				
22	RS309-MD-500A		500	47300	181000	83				
23	RS309-MD-600A	8ZB	600	59300	293000	97	855±25	2	12	
24	RS309-MD-700A		700	74300	381000	126				
25	RS309-MD-800A		800	112000	536000	130				

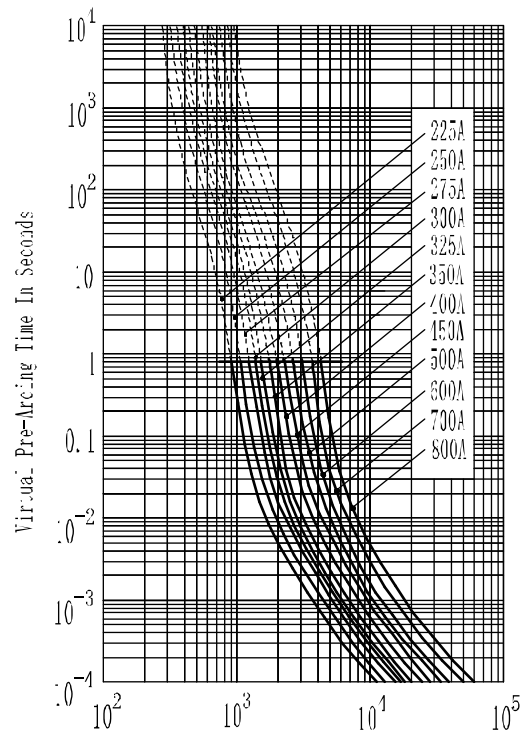
AC/DC500V 35A-800A
Dimensions (mm)
Mounting


Size	A ± 2	B ± 0.5	C ± 0.5	D ± 1.5	E ± 1.5	F ± 1	G ± 1	H ± 0.2
3XA	81	20	40	55	65	9	15	3.3
4ZA	92.2	24	53	68	77	9	18	3.2
5ZA	92.2	31	53	68	75	9	22	5
6ZA	109	37	53	70	87	10.5	25	6
7ZB	110	49	53	70.6	89.8	10.5	38	6
8ZB	161	62	53	87	126	13.5	50	10

Note: levelness of terminal blades max 0.3

Characteristic Curves
Time-Current Curves


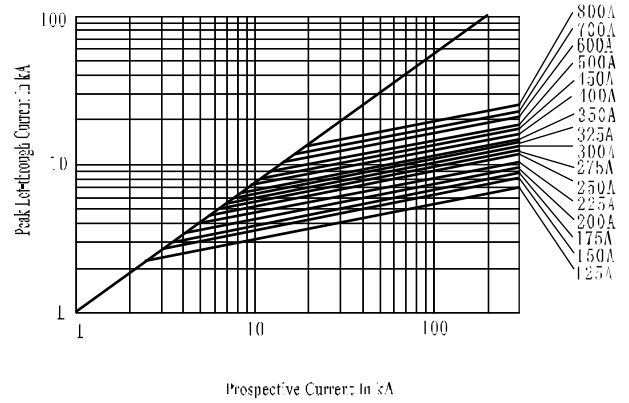
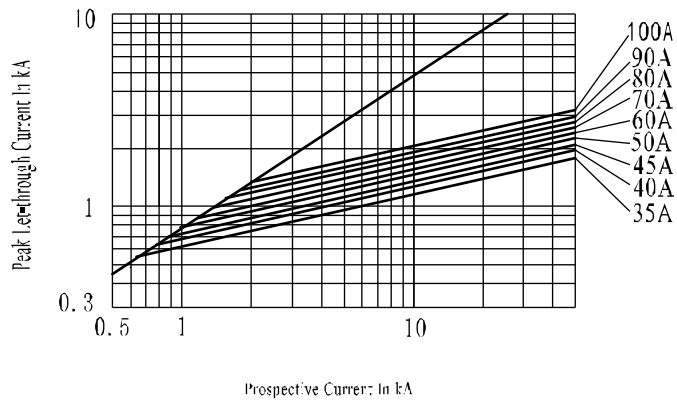
Prospective Current In Amperes



Prospective Current In Amperes

AC/DC500V 35A-800A

- Note: 1. Current tolerance of characteristic curves $\pm 15\%$
 2. DC530-550V, time constant and connector as per GB.
 3. Min breaking current: I_n up to 100A, $3.5I_n$, $I_n > 100A$, $5I_n$

Peak Let-Through


DC500V/AC500V 200A-630A
Basics

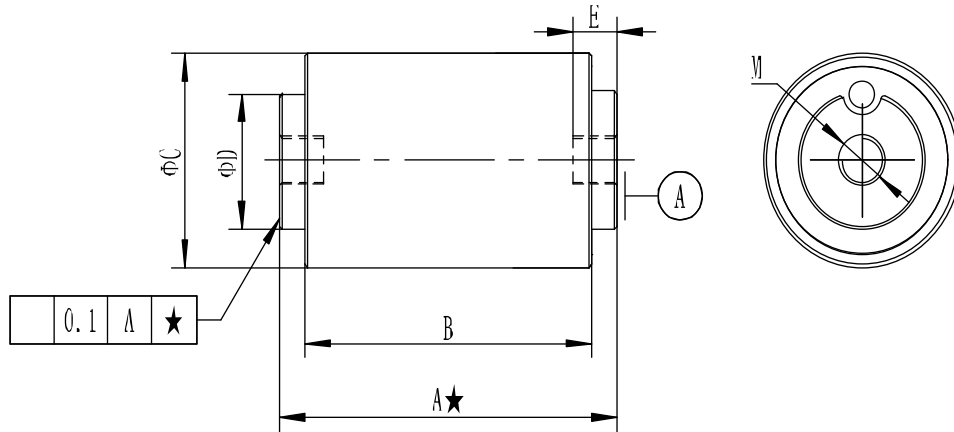
- Rated Voltage: AC/DC500V
- Rated Current: 200A~630A
- Protection: gR (IEC)
- Breaking Capacity: AC200kA; DC50kA (time constant up to 15ms)
- Conform to IEC60269, ISO8820 and GB/T 31465
- CE certified and RoHS compliant

Features in compact, low I^2t , HRC, high withstand to current shock, vibration, mechanical shock, current shock, chemical load for road vehicles applications. Suitable for EV traction system, power conversion, energy storage, power battery, energy storage capacitors, inverter, charger, conductor, and other devices and equipment, as well as short-circuit overcurrent and backup protection.

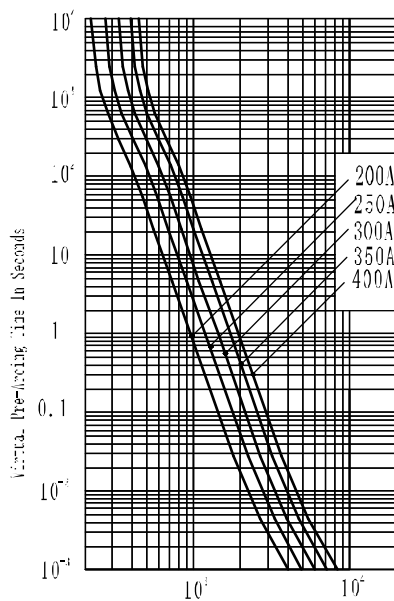
Note: all data are obtained under DC condition: Current I at least 20kA and time constant 10~15ms, Current $I < 20kA$ and time constant 0.5×10.3 and connector as per IEC60269/UL248.

	Part Number	Size	Current A	I^2t (A ² s)		Loss W	Weight (g)	Mounting
				Prearc	Clearing			
1	RS309-MD-EVP200A	5ZF	200	6100	20500	23	120±5	M6 Torque 6±1N.m
2	RS309-MD-EVP225A		225	9300	31000	25		
3	RS309-MD-EVP250A		250	12100	40500	27		
4	RS309-MD-EVP275A		275	15400	50700	29		
5	RS309-MD-EVP300A		300	17600	61000	31		
6	RS309-MD-EVP325A		325	20000	74800	32		
7	RS309-MD-EVP350A		350	23100	88500	34		
8	RS309-MD-EVP375A		375	26400	104000	36		
9	RS309-MD-EVP400A		400	30800	119000	38		
10	RS309-MD-EVP450A	6ZF	450	57400	325000	41	170±6	
11	RS309-MD-EVP500A		500	89000	370000	44		
12	RS309-MD-EVP550A		550	116000	415000	48		
13	RS309-MD-EVP630A		630	153000	520000	50		
14	RS309-MD-EVPM200A		5ZH	200	6100	20500		
15	RS309-MD-EVPM225A	225		9300	31000	25		
16	RS309-MD-EVPM250A	250		12100	40500	27		
17	RS309-MD-EVPM275A	275		15400	50700	29		
18	RS309-MD-EVPM300A	300		17600	61000	31		
19	RS309-MD-EVPM325A	325		20000	74800	32		
20	RS309-MD-EVPM350A	350		23100	88500	34		
21	RS309-MD-EVPM375A	375		26400	104000	36		
22	RS309-MD-EVPM400A	400		30800	119000	38		
23	RS309-MD-EVPM450A	6ZH		450	57400	325000	41	170±6
24	RS309-MD-EVPM500A		500	89000	370000	44		
25	RS309-MD-EVPM550A		550	116000	415000	48		
26	RS309-MD-EVPM630A		630	153000	520000	50		

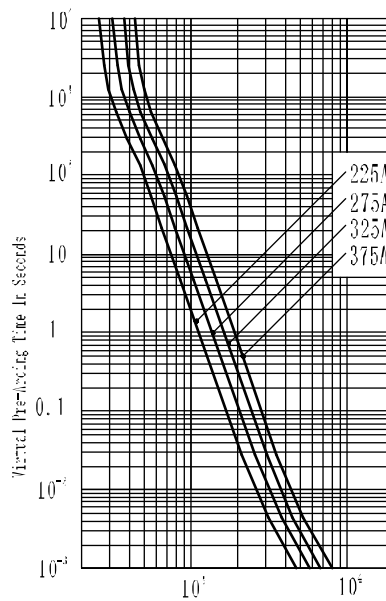
DC500V/AC500V 200A-630A

Dimensions(mm)
Overall Size


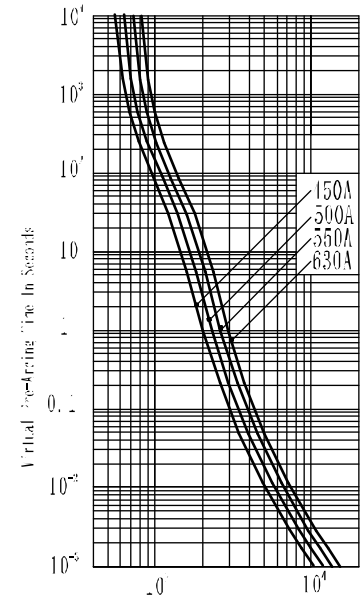
Size	A ± 0.2	B ^{+0.5} _{-0.2}	C ^{+0.5} _{-0.2}	D ^{+0.3} ₀	E ^{+0.5} ₀	M
5ZF	53	45	31	20	7	M6
5ZH	53	45	31	20	7	M8
6ZF	53	45	37	24	7	M6
6ZH	53	45	37	24	7	M8

Characteristic Curves
Time-Current Curves


Prospective Current: In Amperes

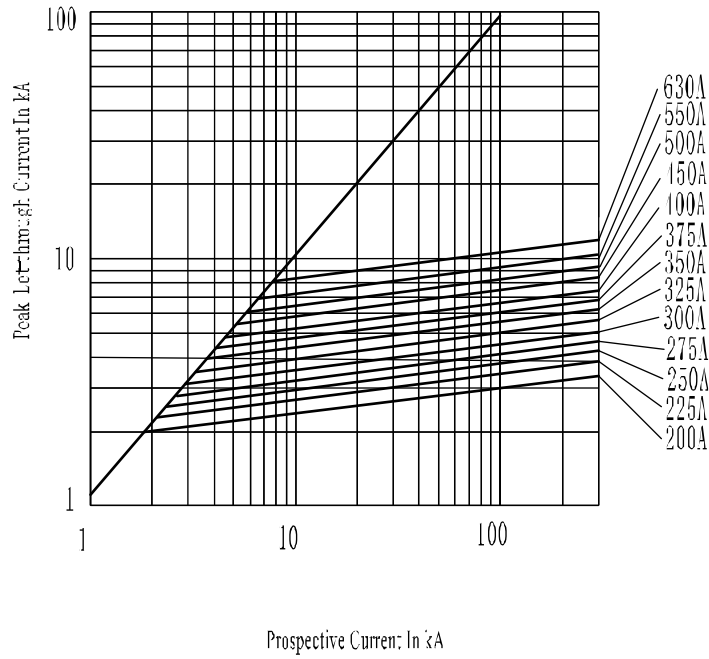


Prospective Current: In Amperes



Prospective Current: In Amperes

Peak Let-Through

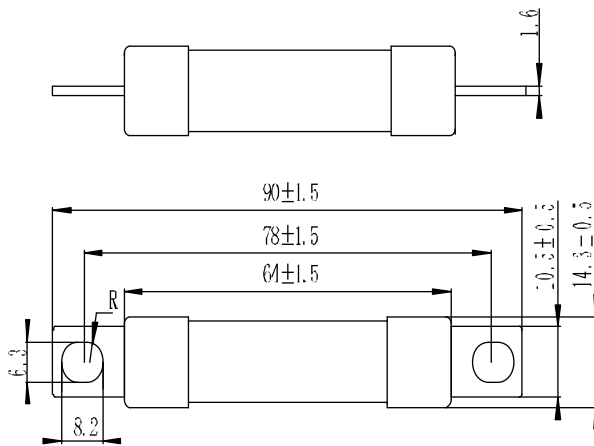
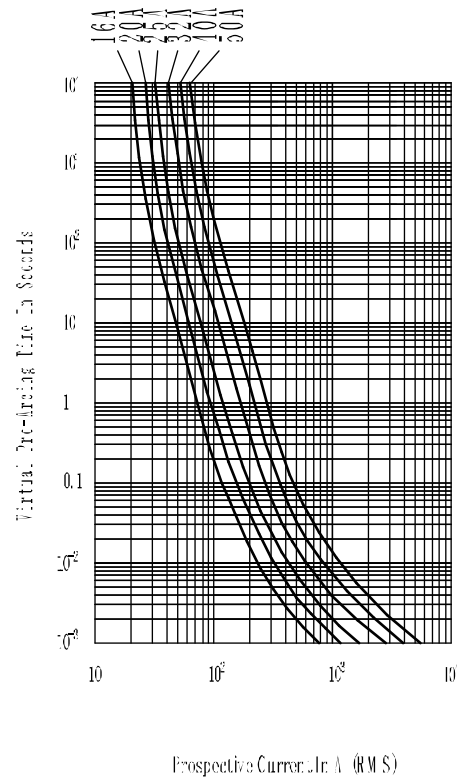


DC1000V 16A~50A
Basics

- Rated Voltage: DC1000V
- Rated Current: 16A~50A
- Protection: gR (IEC)
- Breaking capacity: 50kA (L/R=5~10ms)
- CE and RoHS Compliant

Features in high current shock, high current limitation, HRC suitable for EV applications.

	Part Number	Size	Current A	I ² t (A ² s)		Loss W	Mounting
				Prearc	Clearing		
1	EV305-6FM16A	6FM	16	80	260	4	Bolted
2	EV305-6FM20A		20	145	470	4.5	
3	EV305-6FM25A		25	320	1050	5	
4	EV305-6FM32A		32	720	2380	6	
5	EV305-6FM40A		40	1290	4250	7	
6	EV305-6FM50A		50	2250	7650	8	

Dimensions (mm)
Outline Dimensions

Characteristic
Time Current Curves


DC500V 10A-50A

Basics

- Performance conforms to JASO D622, Reliabilities conform to ISO8820, JASO D622 and GB/T31465
- Rated Voltage: DC500V
- Rated Current: 10A~50A
- Breaking capacity: 20kA, time constant 2 ± 0.5 ms
- RoHS Compliant

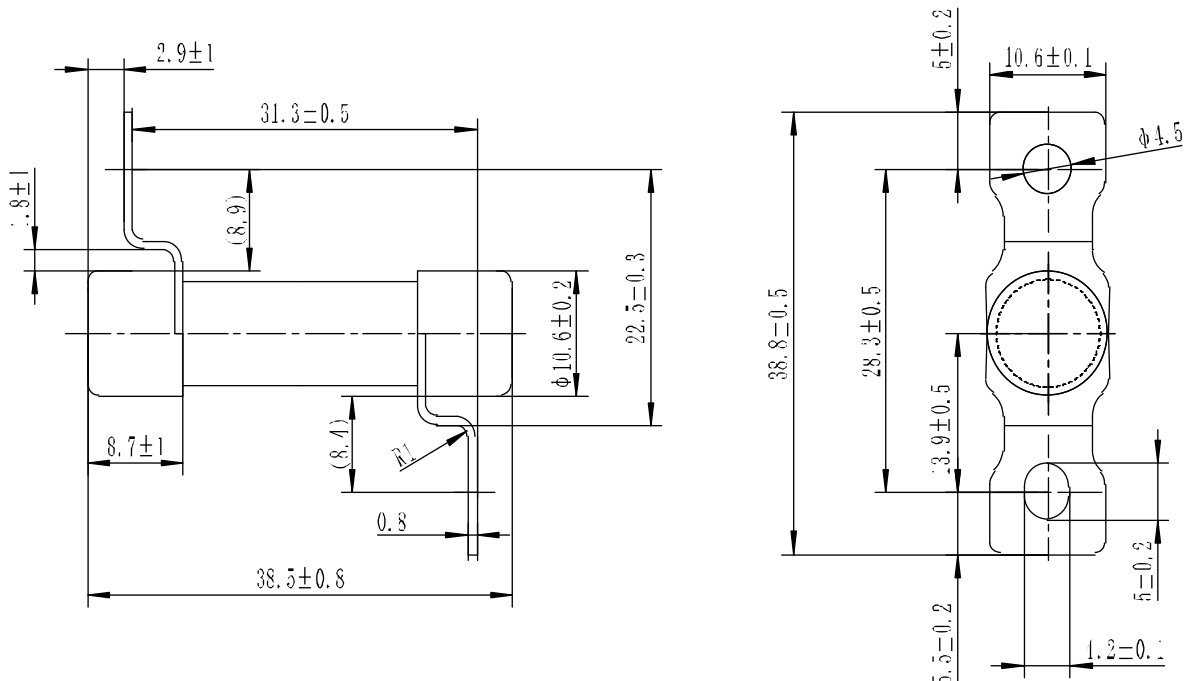
With excellent withstand to high temperature, vibration, mechanical shock, current shock, chemical load for road vehicles applications. Suitable for EV traction system, power conversion, energy storage system, inverter, car charger, conductor, and other devices and equipment, as well as short-circuit overcurrent and backup protection.

	Part Number	Size	Current (A)	I ² t (A ² s)		Loss (W)	Weight (g)	Min Package (pcs)	Max Package (pcs)	Mounting
				Prearc	Clearin					
1	EV315-3EN10A	3EN	10	19	64	2	13.5±1	64	384	Bolt M4 2±0.5N·m
2	EV315-3EN15A		15	83	256	3				
3	EV315-3EN20A		20	130	400	4				
4	EV315-3EN30A		30	333	1025	6				
5	EV315-3EN40A		40	748	2306	8				
6	EV315-3EN50A		50	1330	4100	10				

Note: above I²t are obtained under 520VDC, 20.6kA, and time constant 2.63ms

Dimensions (mm)

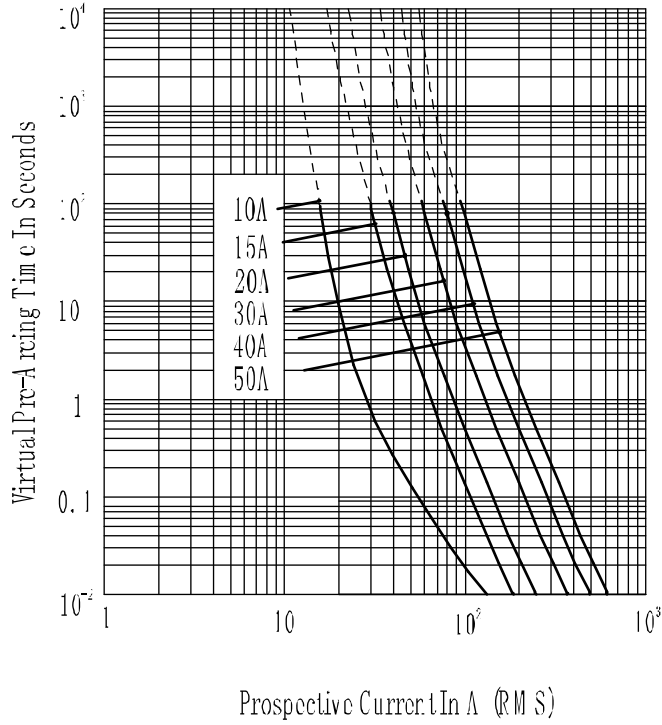
Outline Dimensions



DC500V 10A-50A

Characteristic Curves

Time Current Curves



AC/DC 500V 15A-50A

Basics

- Performance conforms to JASO D622, Environmental reliability conforms to ISO8820, JASO D622 and GB/T31465
- Rated Voltage: AC/DC500V
- Rated Current: 15A~50A
- Breaking capacity: AC 20kA, $\text{COS}\Phi=0.2\sim0.3$
DC 20kA, L/R=2±0.5ms
- RoHS Compliant

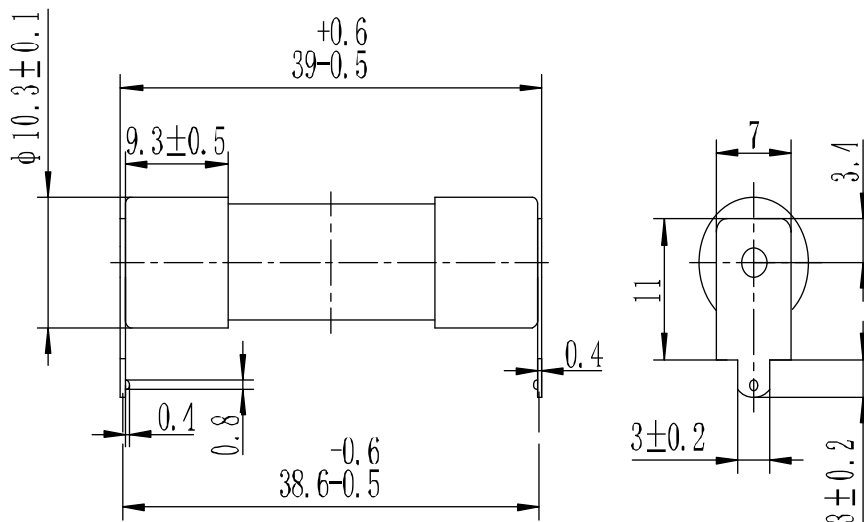
With excellent withstand to high temperature, vibration, mechanical shock, current shock, chemical load for road vehicles applications. Suitable for EV traction system, power conversion, energy storage system, inverter, car charger, conductor, and other devices and equipment, as well as short-circuit overcurrent and backup protection.

	Part Number	Size	Current (A)	I^2t (A ² s)		Loss (W)	Color	Weight (g)	Min Package (pcs)	Max Package (pcs)	Remark
				Prearc	Clearin						
1	EV315-H-3EB15A	H-3EB	15	83	256	3	Blue	10.3±1.5	36	576	Single-foot plug-in
2	EV315-H-3EB20A		20	130	400	4	Yellow				
3	EV315-H-3EB30A		30	333	1025	6	Green				
4	EV315-H-3EB40A		40	748	2306	8	Orange				
5	EV315-H-3EB50A		50	1330	4100	10	White				

Note: I^2T data are obtained under test condition DC 520V, 20.6kA and time constant 2.63ms

Outline Dimensions (mm)

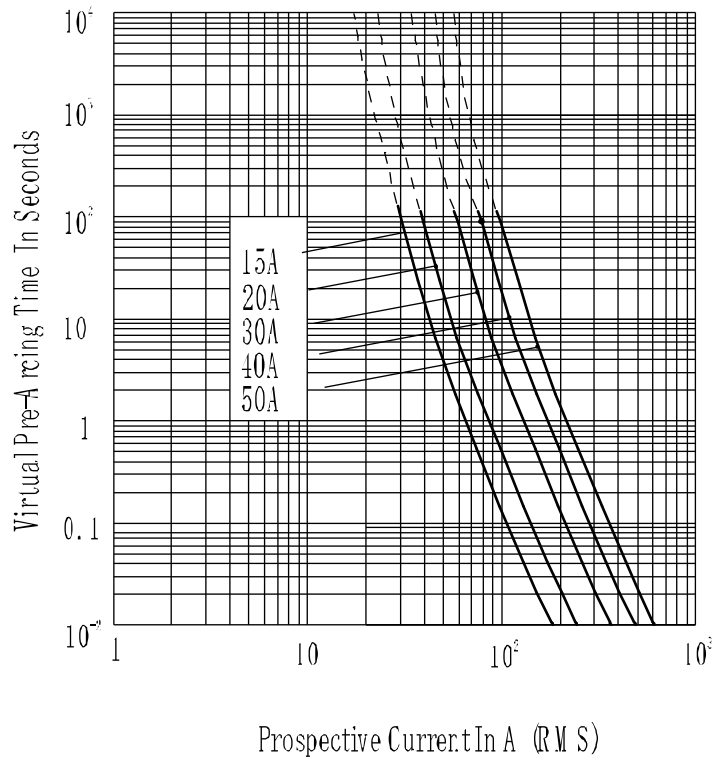
Outline Dimensions



AC/DC 500V 15A-50A

Time-Current Curves

Time Current Curves



DC500V 60A-160A

Basics

- Performance conforms to JASO D622, Reliabilities conform to ISO8820, JASO D622 and GB/T31465
- Rated Voltage: DC500V
- Rated Current: 60A-160A
- Breaking Capacity: DC20KA, L/R= 2±0.5ms
- RoHS Compliant

With excellent withstand to high temperature, vibration, mechanical shock, current shock, chemical load for road vehicles applications. Suitable for EV traction system, power conversion, energy storage system, inverter, car charger, conductor, and other devices and equipment, as well as short-circuit overcurrent and backup protection.

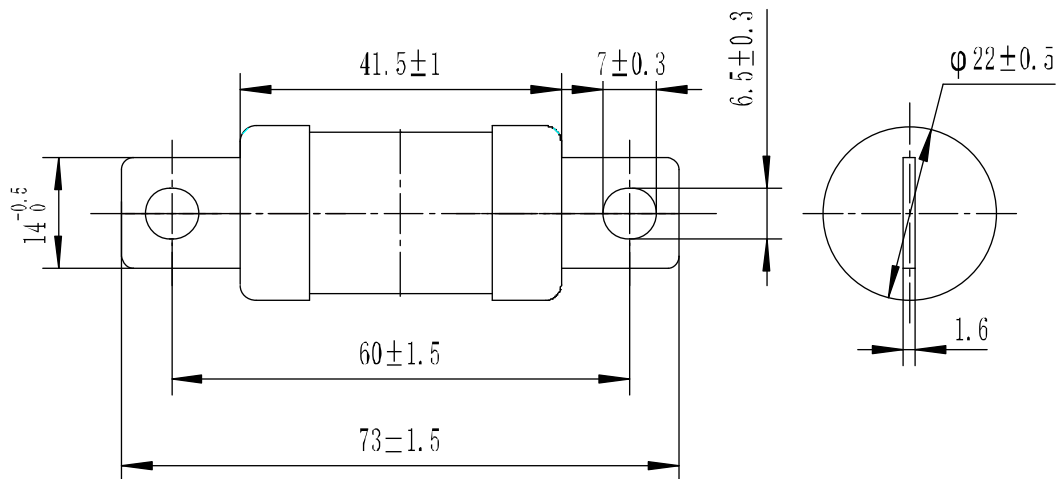
	Part Number	Size	Current A	I ² t (A ² s)		Loss W	Weight g	Mounting
				Prearc	Clearing			
1	EV315-M-4H60A	4H	60	873	3538	10.8	41±3	Bolt M6 Torque (6.0±1.0)N·m
2	EV315-M-4H80A		80	1767	7157	12.3		
3	EV315-M-4H100A		100	3341	13530	15.3		
4	EV315-M-4H125A		125	5412	21917	18.7		
5	EV315-M-4H160A		160	10100	40900	22.5		

Note: a) Above I²t data are obtained under 500VDC, 20kA and 6.86 ms

b) It is recommended that the long-term continuous current should not exceed 0.8 times the rated current.

Outline Dimensions (mm)

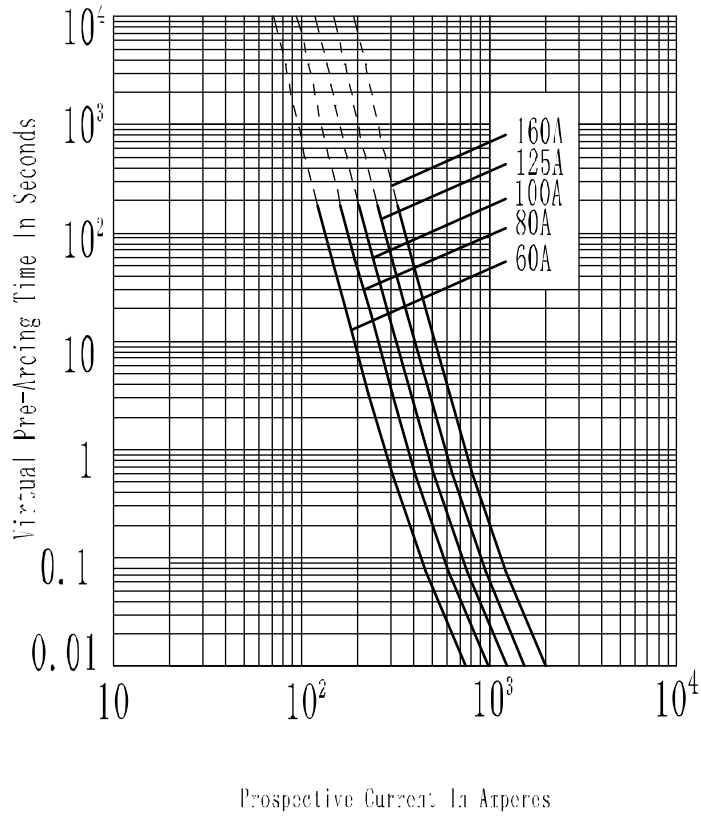
Outline Dimensions



DC500V 60A-160A

Characteristic Curves

Time Current Curves



DC500V 60-100A

Basics

- Conform to JASOD622, GB/T31465.
- Rated Voltage: DC500V
- Rated Current: 60A-100A
- Utilization Category: EV
- Breaking Capacity: 20kA, time constant L/R=2±0.5ms
- RoHS compliant

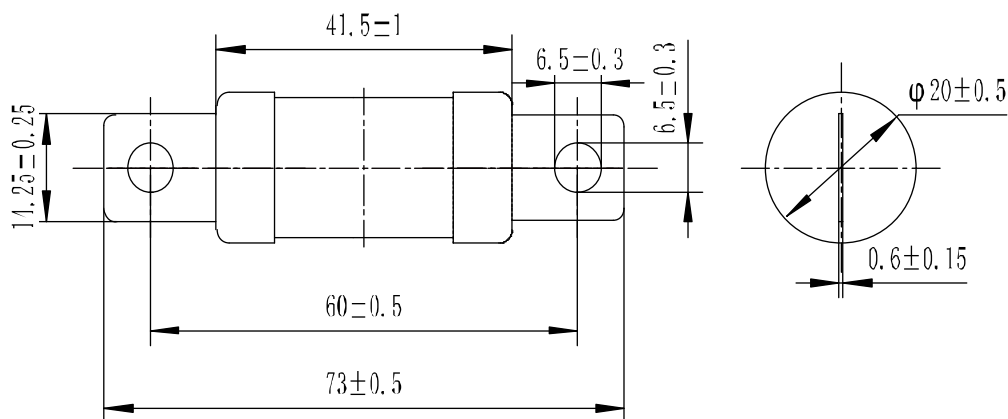
With excellent withstand to high temperature, vibration, mechanical shock, current shock, chemical load for road vehicles applications. Suitable for EV traction system, power conversion, energy storage system, inverter, car charger, conductor, and other devices and equipment, as well as short-circuit overcurrent and backup protection.

No	Part Number	Size	Current A	I^2t (A ² s)		Loss W	Weight (g)	Remark
				Prearc	Clearing			
1	EV315-M-4Q60A	4Q	60	1806	4892	11	44.5±3	Bolt M6 Torque (6.0±1.0) N.m
2	EV315-M-4Q80A		80	3571	9675	15.2		
3	EV315-M-4Q100A		100	6350	17200	19		

Note: I^2t data is typical result obtained under 20.2kA current, 504VDC and time constant 2.48ms.

Outline Dimensions (mm)

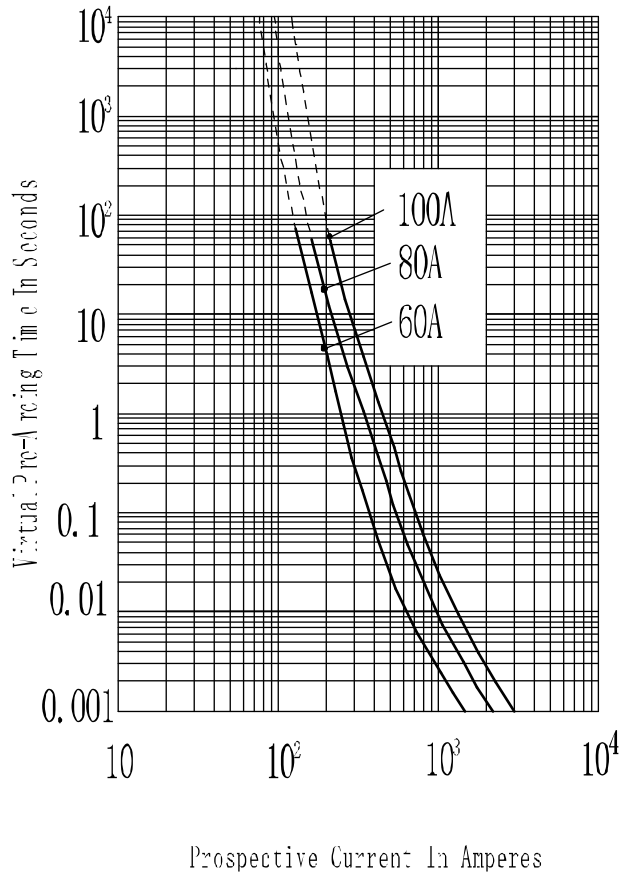
Outline Dimensions



DC500V 60-100A

Characteristic Curves

Time Current Curves



Note:

- 1) Current tolerance $\pm 10\%$
- 2) Minimum breaking current at least $2I_n$

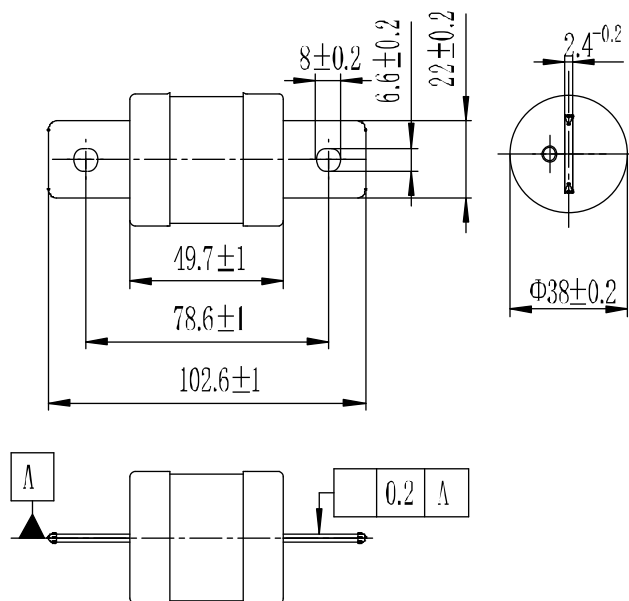
DC500V 300A-500A
Basics

- Performance conforms to JASO D622, Reliabilities conform to ISO8820, JASO D622 and GB/T31465
- Rated Voltage: DC500V
- Rated Current: 300A~500A
- Breaking capacity: 20kA, L/R=2±0.5ms
- RoHS Compliant

With excellent withstand to high temperature, vibration, mechanical shock, current shock, chemical load for road vehicles applications. Suitable for EV traction system, power conversion, energy storage system, inverter, car charger, conductor, and other devices and equipment, as well as short-circuit overcurrent and backup protection.

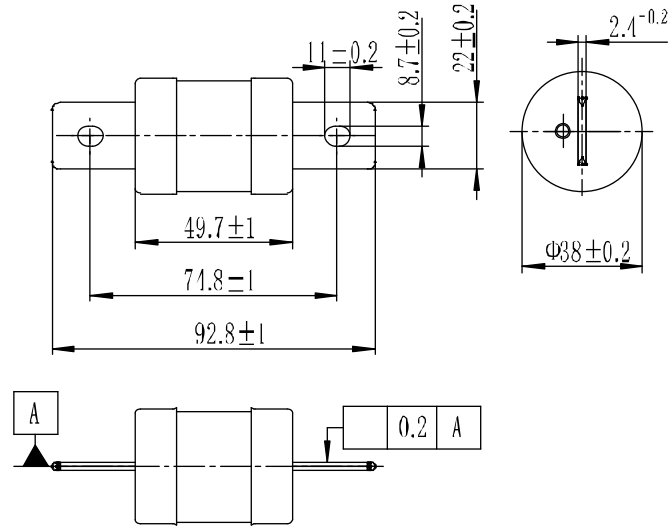
	Part Number	Size	Current A	I ² t (A ² s)		Loss W	Weight (g)	Min Package (pcs)	Max Package (pcs)	Mounting
				Prearc	Clearing					
1	EV315-M-5NB300A	5NB	300	24525	89100	54	186.3±5	4	64	Bolt M6 Torque (6.0±1.0) N.m
2	EV315-M-5NB315A		315	28783	104569	56				
3	EV315-M-5NB350A		350	38320	139219	59.5				
4	EV315-M-5NB400A		400	55181	200475	68				
5	EV315-M-5NB500A		500	98100	356400	80				
6	EV315-M-5ND300A	5ND	300	24525	89100	54	-	4	64	Bolt M8 Torque (12.0±1.0) N.m
7	EV315-M-5ND315A		315	28783	104569	56				
8	EV315-M-5ND350A		350	38320	139219	59.5				
9	EV315-M-5ND400A		400	55181	200475	68				
10	EV315-M-5ND500A		500	98100	356400	80				
11	EV315-L-5N300A	L-5N	300	24525	89100	54	-	4	64	Bolt M8 Torque (12.0±1.0) N.m
12	EV315-L-5N315A		315	28783	104569	56				
13	EV315-L-5N350A		350	38320	139219	59.5				
14	EV315-L-5N400A		400	55181	200475	68				
15	EV315-L-5N500A		500	98100	356400	80				

Note: above I²t data are obtained under 500VDC, 20.4kA and time constant 2.21 ms.

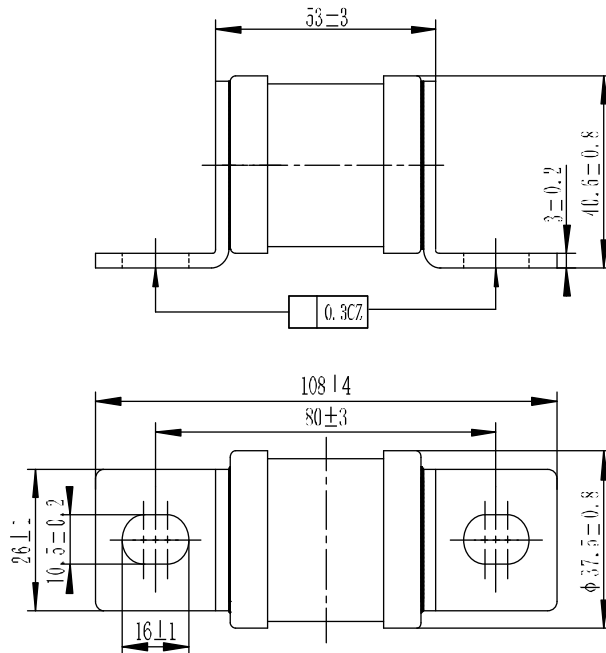
Dimensions (mm)
EV315-M-5NB Outline


DC500V 300A-500A

EV315-M-5ND Outline



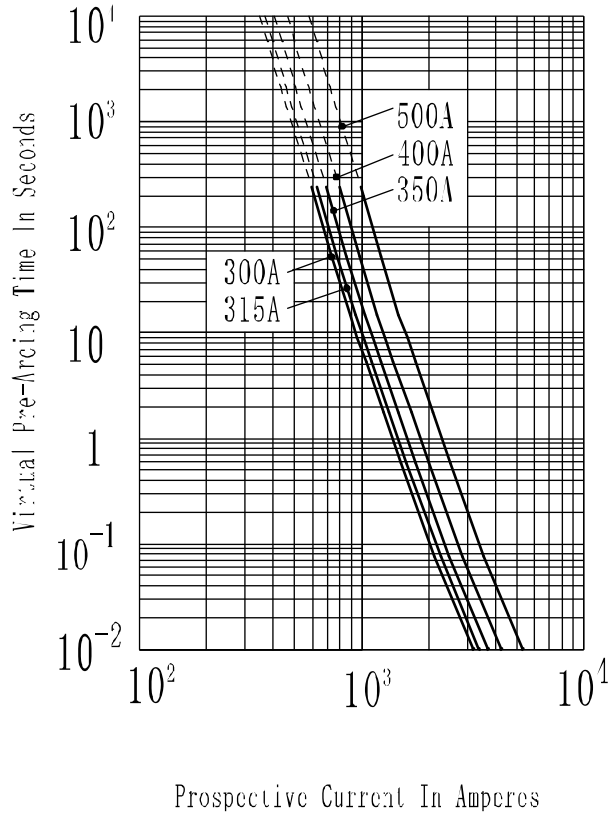
EV315-L-5N Outline



DC500V 300A-500A

Characteristic Curves

Time Current Curves



DC70V 80A-500A
Basics

- Safety and Reliability conform to ISO8820-5 and GB/T31465.5-2015
- Rated Voltage: DC70V or below
- Rated Current: 80A~500A
- Breaking Capacity: DC 6kA (time constant 2±0.5ms)
- RoHS Compliant

Suitable for EV applications. Features in compact, surge breaking current, with excellent withstand to vibration and mechanical shock, used as short-circuit overcurrent and backup protection.

Note: all test data in this specification are obtained under DC condition. Time constant and connector conform to ISO8820.

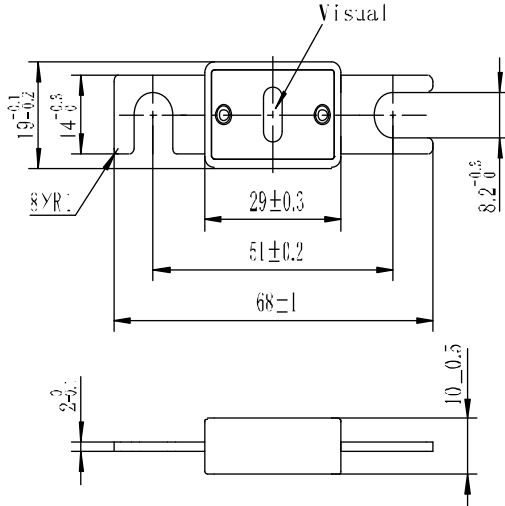
	Part Number		Size	Current (A)	I ² t (A ² s)		Loss (W)	Weight (g)	Mounting
	Visual	No Visual			Prearc	Clearing			
1	EV320-5X-80A	EV320-5X-80A-N	5X	80	14500	19400	16	14±2	Bolt M8 Torque 12±1N.m
2	EV320-5X-100A	EV320-5X-100A-N		100	25000	43400	18		
3	EV320-5X-125A	EV320-5X-125A-N		125	41900	72800	20		
4	EV320-5X-150A	EV320-5X-150A-N		150	61900	105300	22		
5	EV320-5X-175A	EV320-5X-175A-N		175	94400	150150	25		
6	EV320-5X-200A	EV320-5X-200A-N		200	139200	183480	30		
7	EV320-5X-225A	EV320-5X-225A-N		225	212400	214660	30		
8	EV320-5X-250A	EV320-5X-250A-N		250	277500	424660	32		
9	EV320-5X-300A	EV320-5X-300A-N		300	247500	516050	35		
10	EV320-5X-350A	EV320-5X-350A-N		350	386700	676290	38		
11	EV320-5X-400A	EV320-5X-400A-N		400	590100	776070	40		
12	EV320-5X-450A	EV320-5X-450A-N	450	849800	1045470	42			
13	EV320-5X-500A	EV320-5X-500A-N	500	1110000	1230000	45			
14	EV320-5C-80A	EV320-5C-80A-N	5C	80	14500	19400	16		
15	EV320-5C-100A	EV320-5C-100A-N		100	25000	43400	18		
16	EV320-5C-125A	EV320-5C-125A-N		125	41900	72800	20		
17	EV320-5C-150A	EV320-5C-150A-N		150	61900	105300	22		
18	EV320-5C-175A	EV320-5C-175A-N		175	94400	150150	25		
19	EV320-5C-200A	EV320-5C-200A-N		200	139200	183480	30		
20	EV320-5C-225A	EV320-5C-225A-N		225	212400	214660	30		
21	EV320-5C-250A	EV320-5C-250A-N		250	277500	424660	32		
22	EV320-5C-300A	EV320-5C-300A-N		300	247500	516050	35		
23	EV320-5C-350A	EV320-5C-350A-N		350	386700	676290	38		
24	EV320-5C-400A	EV320-5C-400A-N		400	590100	776070	40		
25	EV320-5C-450A	EV320-5C-450A-N		450	849800	1045470	42		
26	EV320-5C-500A	EV320-5C-500A-N		500	1110000	1230000	45		

Note: No visual- EV320-5X/5C-XXA-N

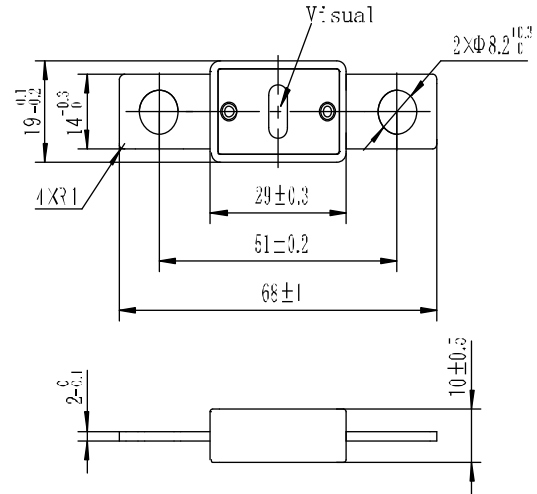
DC70V 80A-500A

Dimensions (mm)

EV320-5X



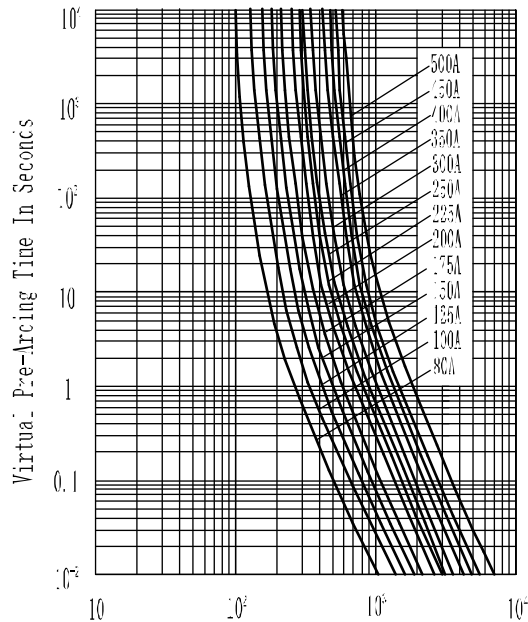
EV320-5C



Note: No visual- EV320-5X/5C-XXA-N

Characteristic Curves

Time-Current Curves



Prospective Current (In Amperes)

- Note: 1. Current tolerance ±10%
2. Min breaking current at least 3.5I_n

DC250V 16A~500A
Basics

- Performance conforms to JASO D622, Reliabilities conform to ISO8820, JASO D622 and GB/T31465
- Rated Voltage: 250VDC
- Rated Current: 16A-500A
- Breakign capacity: EV323-2GL-HS @30kA L/R=2±0.5ms
EV323-3NL/3NM @50kA, L/R=2±0.5ms
- RoHS Compliant

With excellent withstand to high temperature, vibration, mechanical shock, current shock, chemical load for road vehicles applications. Suitable for EV traction system, power conversion, energy storage system, inverter, car charger, conductor, and other devices and equipment, as well as short-circuit overcurrent and backup protection.

	Part Number	Size	Current (A)	I^2t (A ² s)		Loss (W)	Weight (g)	Mounting
				prearc	Clearing			
1	EV323-2GL16A	2GL	16	19	99	3.03	29.2± 2	Bolt M6 Torque 6.0±1.0Nm
2	EV323-2GL20A		20	30	154	3.8		
3	EV323-2GL25A		25	60	302	4.25		
4	EV323-2GL32A		32	99	499	5.44		
5	EV323-2GL35A		35	122	616	5.87		
6	EV323-2GL40A		40	176	886.5	6.41		
7	EV323-2GL50A		50	313	1576	7.57		
8	EV323-2GL63A		63	540	2715	9.24		
9	EV323-2GL80A		80	926	4656	11.32		
10	EV323-2GL100A		100	1586	7979	13.95		
11	EV323-2GL125A		125	2821	14184.5	16.7		
12	EV323-2GL160A		160	4860	24435	21.43		
13	EV323-2GL180A		180	6347	31915	24		
14	EV323-3NL50A	3NL	50	192	992	7.1	164.7± 5	Bolt M8 Torque 12.0±1.0Nm
15	EV323-3NL63A		63	317	1640	8.3		
16	EV323-3NL80A		80	564	2915	10		
17	EV323-3NL100A		100	972	5022	12		
18	EV323-3NL125A		125	1568	8099	15		
19	EV323-3NL160A		160	2701	13952	19.2		
20	EV323-3NL180A		180	3588	18528	21.4		
21	EV323-3NL200A		200	4803	24803	23.2		
22	EV323-3NL250A		250	7940	41002	29.2		
23	EV323-3NL315A		315	12739	65785	38.1		
24	EV323-3NL350A		350	16566	85547	42.3		
25	EV323-3NL400A		400	23247	120050	48.5		
26	EV323-3NL450A		450	30364	156800	55.5		
27	EV323-3NL500A		500	38430	198450	63		
28	EV323-3NM50A	3NM	50	192	992	7.1		
29	EV323-3NM63A		63	317	1640	8.3		

DC250V 16A-500A

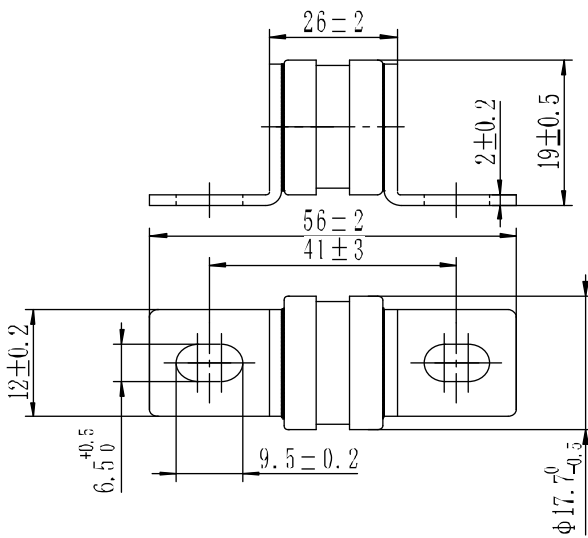


	Part Number	Size	Current (A)	I^2t (A ² s)		Loss (W)	Weight (g)	Mounting
				prearc	Clearing			
30	EV323-3NM80A	3NM	80	564	2915	10	127.0±5	Bolt M8 Torque 12.0±1.0N m
31	EV323-3NM100A		100	972	5022	12		
32	EV323-3NM125A		125	1568	8099	15		
33	EV323-3NM160A		160	2701	13952	19.2		
34	EV323-3NM180A		180	3588	18528	21.4		
35	EV323-3NM200A		200	4803	24803	23.2		
36	EV323-3NM250A		250	7940	41002	29.2		
37	EV323-3NM315A		315	12739	65785	38.1		
38	EV323-3NM350A		350	16566	85547	42.3		
39	EV323-3NM400A		400	23247	120050	48.5		
40	EV323-3NM450A		450	30364	156800	55.5		
41	EV323-3NM500A		500	38430	198450	63		

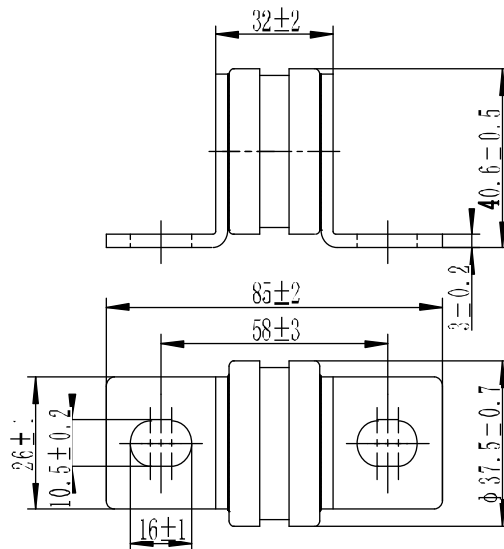
Note: above data are obtained under max voltage rating and corresponding breaking capacity.

Outline Dimensions (mm)

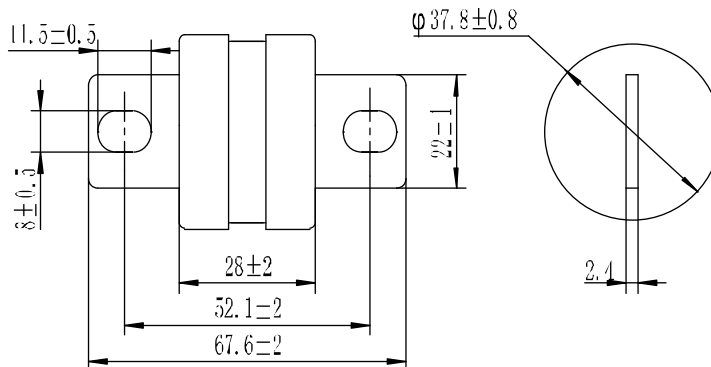
2GL Size



3NL-Size



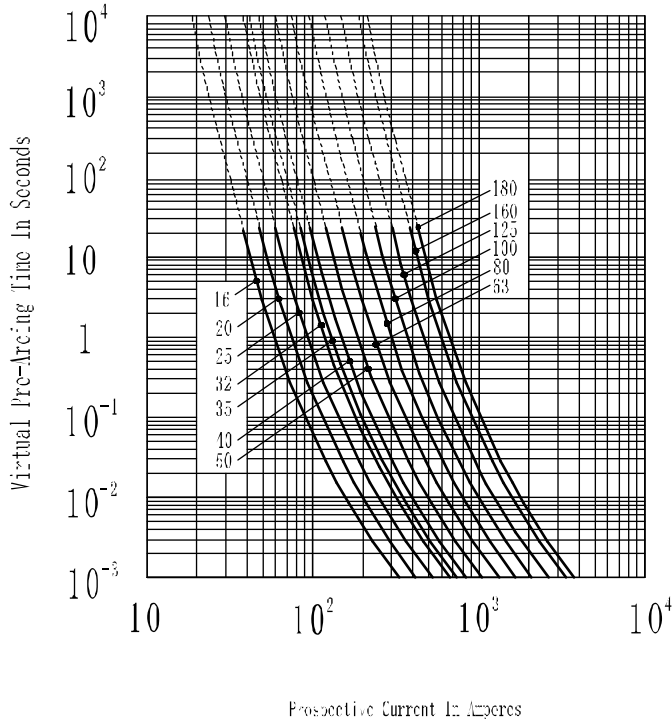
3NM-Size



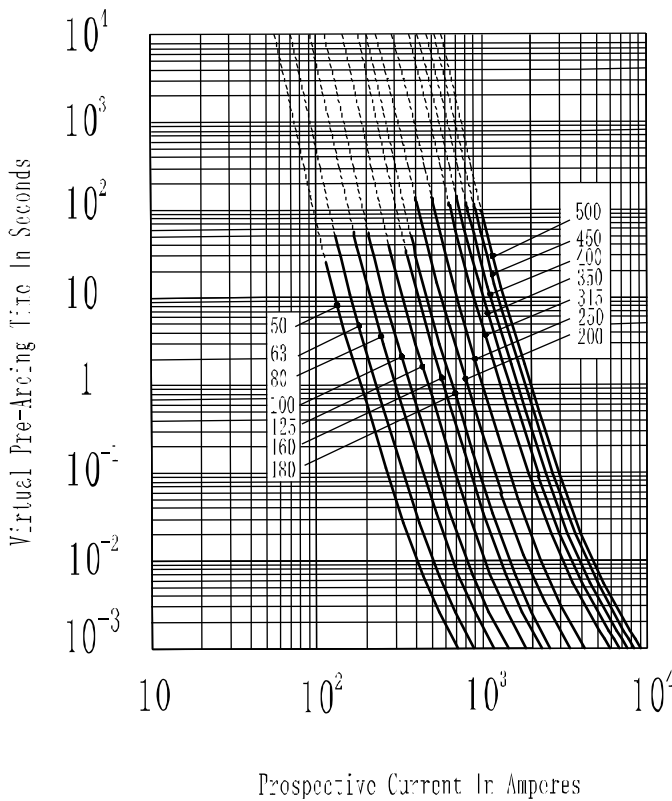
250VDC 16A-500A

Characteristic Curves

2GL-Time-Current



3NL/3NM-Time-Current



AC690V(IEC)/AC700V(UL) 40A-2000A(T1Z)

Basics

- Rated Voltage: AC690V(IEC), AC700V(UL)
- Rated Current: 40-2000A
- Protection: aR
- Breaking Capacity: AC 200kA
- AC Frequency: 45~62Hz
- Conform to IEC60269 /UL248, CE and RoHS Compliant.
- Size 1#/2#/3# are TUV,CCC,UL Certified (Size 01 only UL, 1800A&2000A no TUV, UL certification), Features in low I²t, high current limitation capacity, high breaking capacity, suitable for rail transport, electric vehicles, ships and other industrial applications. Used for energy storage system, power system, inverter, semiconductor, conductor, and short-circuit overcurrent devices and equipment as backup protection.

	Part Number	Size	Current A	I ² t (A ² s)		Loss W	Mounting
				Prearc	Clearing		
1	RS306-01-T1Z-40A690V	01	40	48	270	8.5	Bolt M8 Torque 11N.m
2	RS306-01-T1Z-50A690V		50	75	490	11	
3	RS306-01-T1Z-63A690V		63	110	760	13	
4	RS306-01-T1Z-80A690V		80	200	1200	16	
5	RS306-01-T1Z-100A690V		100	340	2300	20	
6	RS306-01-T1Z-125A690V		125	605	3650	25	
7	RS306-01-T1Z-160A690V		160	1100	7400	30	
8	RS306-01-T1Z-200A690V		200	1900	13200	35	
9	RS306-01-T1Z-250A690V		250	3400	23700	40	
10	RS306-01-T1Z-315A690V		315	6600	43200	49	
11	RS306-01-T1Z-350A690V		350	8700	58500	54	
12	RS306-01-T1Z-400A690V		400	15500	99000	60	
13	RS306-01-T1Z-450A690V		450	20500	139000	65	
14	RS306-01-T1Z-500A690V		500	29000	188000	69	
15	RS306-01-T1Z-550A690V		550	37800	225000	74	
16	RS306-01-T1Z-630A690V		630	51200	325000	78	
17	RS306-1-T1Z-50A690V	1	50	69	490	12	Bolt M10 Torque 21N.m
18	RS306-1-T1Z-63A690V		63	110	780	15	
19	RS306-1-T1Z-80A690V		80	200	1300	18	
20	RS306-1-T1Z-100A690V		100	340	2300	23	
21	RS306-1-T1Z-125A690V		125	605	4100	28	
22	RS306-1-T1Z-160A690V		160	1100	7400	35	
23	RS306-1-T1Z-200A690V		200	1700	11000	43	
24	RS306-1-T1Z-250A690V		250	3200	20800	50	
25	RS306-1-T1Z-315A690V		315	6200	39000	55	
26	RS306-1-T1Z-350A690V		350	8600	55000	60	
27	RS306-1-T1Z-400A690V		400	14000	88000	65	
28	RS306-1-T1Z-450A690V		450	19300	118000	70	
29	RS306-1-T1Z-500A690V		500	26800	169000	72	
30	RS306-1-T1Z-550A690V		550	35800	226000	75	
31	RS306-1-T1Z-630A690V		630	51800	336000	82	
32	RS306-1-T1Z-700A690V		700	70700	455000	94	
33	RS306-1-T1Z-800A690V		800	110000	720000	98	

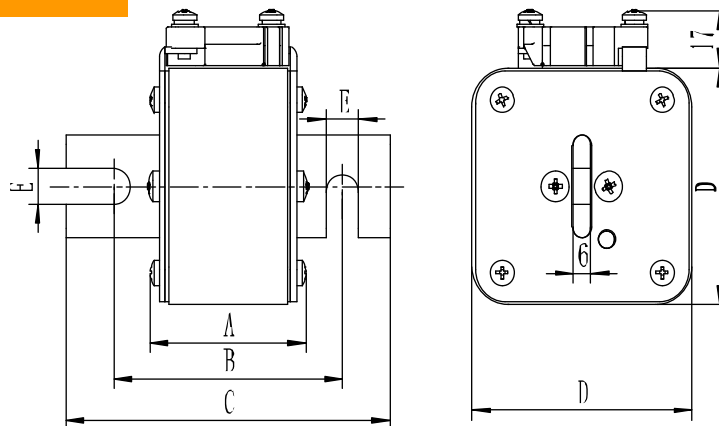
AC690V(IEC)/AC700V(UL) 40A-2000A(T1Z)


	Part Number	Size	Current A	I ² t (A ² s)		Loss W	Mounting
				Prearc	Clearing		
34	RS306-2-T1Z-400A690V	2	400	11800	74000	60	Bolt M10 Torque 21N.m
35	RS306-2-T1Z-450A690V		450	18000	105000	64	
36	RS306-2-T1Z-500A690V		500	25000	143000	69	
37	RS306-2-T1Z-550A690V		550	31500	190000	74	
38	RS306-2-T1Z-630A690V		630	42800	275000	79	
39	RS306-2-T1Z-700A690V		700	60800	403000	90	
40	RS306-2-T1Z-800A690V		800	87000	563000	106	
41	RS306-2-T1Z-900A690V		900	126000	805000	110	
42	RS306-2-T1Z-1000A690V		1000	175000	1080000	115	
43	RS306-2-T1Z-1100A690V		1100	227000	1430000	120	
44	RS306-2-T1Z-1250A690V	1250	355000	2150000	128		
45	RS306-3-T1Z-500A690V	3	500	18000	94000	90	Bolt M10 Torque 21N.m
46	RS306-3-T1Z-550A690V		550	22500	134000	95	
47	RS306-3-T1Z-630A690V		630	35600	199000	100	
48	RS306-3-T1Z-700A690V		700	51000	286000	105	
49	RS306-3-T1Z-800A690V		800	82300	460000	110	
50	RS306-3-T1Z-900A690V		900	110000	665000	118	
51	RS306-3-T1Z-1000A690V		1000	163000	960000	123	
52	RS306-3-T1Z-1100A690V		1100	220000	1270000	128	
53	RS306-3-T1Z-1250A690V		1250	303000	1750000	135	
54	RS306-3-T1Z-1400A690V		1400	392000	2195000	155	
55	RS306-3-T1Z-1500A690V		1500	464000	2598000	160	
56	RS306-3-T1Z-1600A690V		1600	543000	3050000	163	
57	RS306-3-T1Z-1800A600V		*1800	876000	4360000	168	
58	RS306-3-T1Z-2000A600V		*2000	1140000	5180000	175	

Note: default with indicator base; "N" means no indicator e.g. RS306-01-T1Z-630A690V-N

"T" means visual indicator, e.g. RS306-01-T1Z-630A690V-T

* Rated Voltage 600V

Dimension (mm)
Outline Size


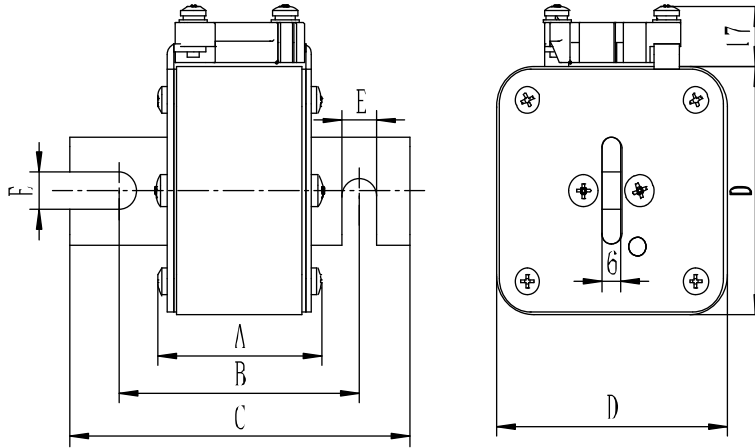
Size	A±2	B±2	C±2.5	D±2	E±0.5
01	50	75.5	108	43	9
1	51	77	109	51	11
2	51	77	109	60	11
3	51	77	109	74	11

AC690V(IEC)/AC700V(UL) 50A-2000A(W1Z)


	Part Number	Size	Current A	I ² t (A ² s)		Loss W	Mounting
				Prearc	Clearing		
1	RS306-1-W1Z-50A690V	1	50	69	490	12	Bolt M10 Torque 21N.m
2	RS306-1-W1Z-63A690V		63	110	780	15	
3	RS306-1-W1Z-80A690V		80	200	1300	18	
4	RS306-1-W1Z-100A690V		100	340	2300	23	
5	RS306-1-W1Z-125A690V		125	605	4100	28	
6	RS306-1-W1Z-160A690V		160	1100	7400	35	
7	RS306-1-W1Z-200A690V		200	1700	11000	43	
8	RS306-1-W1Z-250A690V		250	3200	20800	50	
9	RS306-1-W1Z-315A690V		315	6200	39000	55	
10	RS306-1-W1Z-350A690V		350	8600	55000	60	
11	RS306-1-W1Z-400A690V		400	14000	88000	65	
12	RS306-1-W1Z-450A690V		450	19300	118000	70	
13	RS306-1-W1Z-500A690V		500	26800	169000	72	
14	RS306-1-W1Z-550A690V		550	35800	226000	75	
15	RS306-1-W1Z-630A690V		630	51800	336000	82	
16	RS306-1-W1Z-700A690V		700	70700	455000	94	
17	RS306-1-W1Z-800A690V		800	110000	720000	98	
18	RS306-2-W1Z-400A690V	2	400	11800	74000	60	Bolt M10 Torque 21N.m
19	RS306-2-W1Z-450A690V		450	18000	105000	64	
20	RS306-2-W1Z-500A690V		500	25000	143000	69	
21	RS306-2-W1Z-550A690V		550	31500	190000	74	
22	RS306-2-W1Z-630A690V		630	42800	275000	79	
23	RS306-2-W1Z-700A690V		700	60800	403000	90	
24	RS306-2-W1Z-800A690V		800	87000	563000	106	
25	RS306-2-W1Z-900A690V		900	126000	805000	110	
26	RS306-2-W1Z-1000A690V		1000	175000	1080000	115	
27	RS306-2-W1Z-1100A690V		1100	227000	1430000	120	
28	RS306-2-W1Z-1250A690V	1250	355000	2150000	128		
29	RS306-3-W1Z-500A690V	3	500	18000	94000	90	Bolt M10 Torque 21N.m
30	RS306-3-W1Z-550A690V		550	22500	134000	95	
31	RS306-3-W1Z-630A690V		630	35600	199000	100	
32	RS306-3-W1Z-700A690V		700	51000	286000	105	
33	RS306-3-W1Z-800A690V		800	82300	460000	110	
34	RS306-3-W1Z-900A690V		900	110000	665000	118	
35	RS306-3-W1Z-1000A690V		1000	163000	960000	123	
36	RS306-3-W1Z-1100A690V		1100	220000	1270000	128	
37	RS306-3-W1Z-1250A690V		1250	303000	1750000	135	
38	RS306-3-W1Z-1400A690V		1400	392000	2195000	155	
39	RS306-3-W1Z-1500A690V		1500	464000	2598000	160	
40	RS306-3-W1Z-1600A690V		1600	543000	3050000	163	
41	RS306-3-W1Z-1800A600V		*1800	876000	4360000	168	
42	RS306-3-W1Z-2000A600V		*2000	1140000	5180000	175	

Note: default with indicator base; "N" means no indicator e.g. RS306-1-W1Z-630A690V-N
 "T" means visual indicator, e.g. RS306-1-W1Z-630A690V-T
 Rated Voltage 600V

AC690V(IEC)/AC700V(UL) 50A-2000A(W1Z)

Dimensions (mm)
Outline Dimensions


Size	A \pm 2	B \pm 2	C \pm 2.5	D \pm 2	E \pm 0.5
1	50	107	139	51	11
2	50	107	139	60	11
3	51	107	139	74	11

AC690V(IEC)/AC700V(UL) 40A-2000A(S1P)


	Part Number	Size	Current A	I ² t (A ² s)		Loss W	Mounting
				Prearc	Clearing		
1	RS306-01-S1P-40A690V	01	40	48	270	8.5	Bolt M8 Torque 10N.m
2	RS306-01-S1P-50A690V		50	75	490	11	
3	RS306-01-S1P-63A690V		63	110	760	13	
4	RS306-01-S1P-80A690V		80	200	1200	16	
5	RS306-01-S1P-100A690V		100	340	2300	20	
6	RS306-01-S1P-125A690V		125	605	3650	25	
7	RS306-01-S1P-160A690V		160	1100	7400	30	
8	RS306-01-S1P-200A690V		200	1900	13200	35	
9	RS306-01-S1P-250A690V		250	3400	23700	40	
10	RS306-01-S1P-315A690V		315	6600	43200	49	
11	RS306-01-S1P-350A690V		350	8700	58500	54	
12	RS306-01-S1P-400A690V		400	15500	99000	60	
13	RS306-01-S1P-450A690V		450	20500	139000	65	
14	RS306-01-S1P-500A690V		500	29000	188000	69	
15	RS306-01-S1P-550A690V		550	37800	225000	74	
16	RS306-01-S1P-630A690V		630	51200	325000	78	
17	RS306-1-S1P-50A690V	1	50	69	490	12	Bolt M8 Torque 10N.m
18	RS306-1-S1P-63A690V		63	110	780	15	
19	RS306-1-S1P-80A690V		80	200	1300	18	
20	RS306-1-S1P-100A690V		100	340	2300	23	
21	RS306-1-S1P-125A690V		125	605	4100	28	
22	RS306-1-S1P-160A690V		160	1100	7400	35	
23	RS306-1-S1P-200A690V		200	1700	11000	43	
24	RS306-1-S1P-250A690V		250	3200	20800	50	
25	RS306-1-S1P-315A690V		315	6200	39000	55	
26	RS306-1-S1P-350A690V		350	8600	55000	60	
27	RS306-1-S1P-400A690V		400	14000	88000	65	
28	RS306-1-S1P-450A690V		450	19300	118000	70	
29	RS306-1-S1P-500A690V		500	26800	169000	72	
30	RS306-1-S1P-550A690V		550	35800	226000	75	
31	RS306-1-S1P-630A690V		630	51800	336000	82	
32	RS306-1-S1P-700A690V		700	70700	455000	94	
33	RS306-1-S1P-800A690V	800	110000	720000	98		
34	RS306-2-S1P-400A690V	2	400	11800	74000	60	Bolt M10 Torque: 15N.m
35	RS306-2-S1P-450A690V		450	18000	105000	64	
36	RS306-2-S1P-500A690V		500	25000	143000	69	
37	RS306-2-S1P-550A690V		550	31500	190000	74	
38	RS306-2-S1P-630A690V		630	42800	275000	79	
39	RS306-2-S1P-700A690V		700	60800	403000	90	
40	RS306-2-S1P-800A690V		800	87000	563000	106	
41	RS306-2-S1P-900A690V		900	126000	805000	110	
42	RS306-2-S1P-1000A690V		1000	175000	1080000	115	

AC690V(IEC)/AC700V(UL) 40A-2000A(S1P)



	Part Number	Size	Current A	I ² t (A ² s)		Loss W	Mounting
				Prearc	Clearing		
43	RS306-2-Y1P-1100A690V	3	1100	227000	1430000	120	Bolt M12 Torque 26N.m
44	RS306-2-Y1P-1250A690V		1250	355000	2150000	128	
45	RS306-3-S1P-500A690V		500	39200	76200	90	
46	RS306-3-S1P-550A690V		550	22500	134000	95	
47	RS306-3-S1P-630A690V		630	35600	199000	100	
48	RS306-3-S1P-700A690V		700	51000	286000	105	
49	RS306-3-S1P-800A690V		800	82300	460000	110	
50	RS306-3-S1P-900A690V		900	110000	665000	118	
51	RS306-3-S1P-1000A690V		1000	163000	960000	123	
52	RS306-3-S1P-1100A690V		1100	220000	1270000	128	
53	RS306-3-S1P-1250A690V		1250	303000	1750000	135	
54	RS306-3-S1P-1400A690V		1400	392000	2195000	155	
55	RS306-3-S1P-1500A690V		1500	464000	2598000	160	
56	RS306-3-Y1P-1600A690V		1600	775000	3075000	163	
57	RS306-3-Y1P-1800A600V		*1800	876000	4360000	168	
58	RS306-3-Y1P-2000A600V		*2000	1140000	5180000	175	

Note: default with indicator base; "N" means no indicator e.g. RS306-01-S1P-400A690V-N

* Rated Voltage 600V

Dimensions (mm)

Outline Size

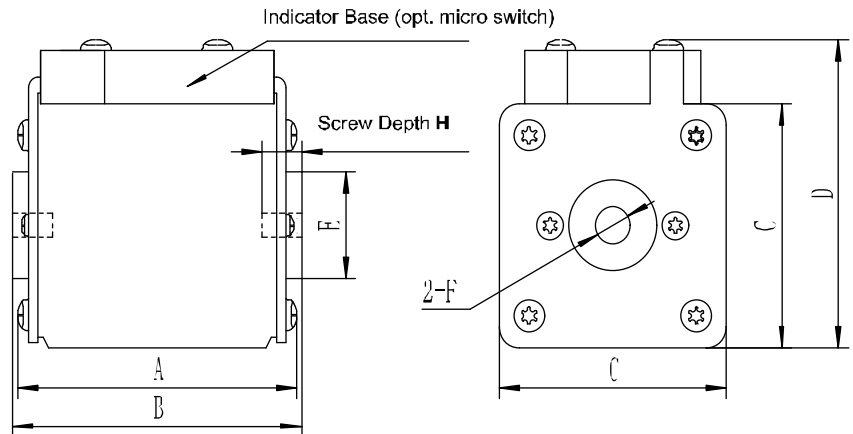
Note: Size 2 1100A-1250A

B: 65

Size 3 1600A-1800A



B: 65

H: Depth



Size	A ± 2	B ± 2.5	C ± 2	D ± 2	E ± 1	F	H ± 1
01	48	51	43	59	Φ17	M8	7
1	50	51	51	69	Φ20	M8	9
2	50	51(65)	60	77	Φ24.5	M10	10
3	50	52(65)	74	92	Φ31	M12	11

S1P Recommended Installation

Mounting	Description	Bolt Type	Nut Max Torque
	Bus connect: as illustrated, directed perpendicular to socket	M8×30 & M8×35	13.5
		M10×30 & M10×50	26
		M12×35 & M12×50	46
		M8×30 & M8×35	13.5
		M10×30 & M10×50	26
		M12×35 & M12×50	46

AC690V(IEC)/AC700V(UL) 50A-2000A(Q1Z)

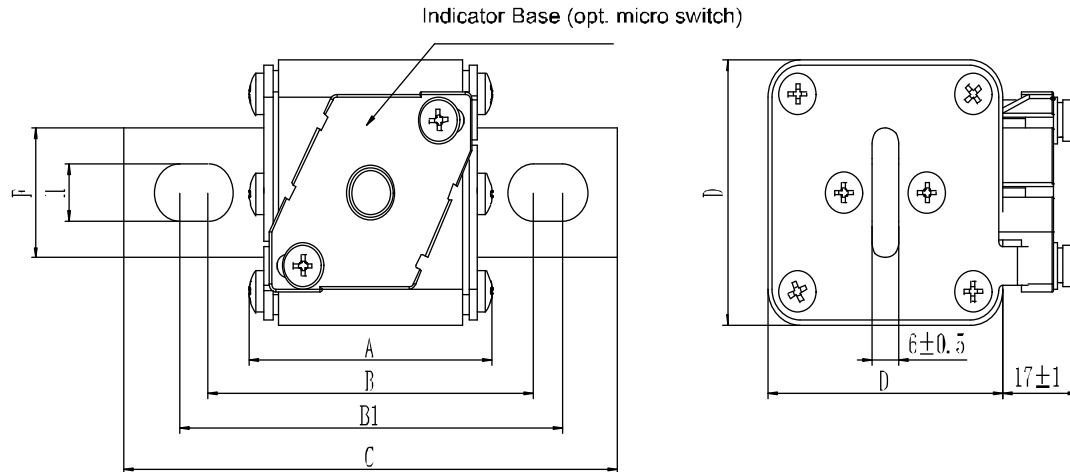

	Part Number	Size	Current A	I ² t (A ² s)		Loss W	Mounting
				Prearc	Clearing		
1	RS306-1-Q1Z-50A690V	1	50	69	490	12	Mounting M10 Bolt Torque 21N.m
2	RS306-1-Q1Z-63A690V		63	110	780	15	
3	RS306-1-Q1Z-80A690V		80	200	1300	18	
4	RS306-1-Q1Z-100A690V		100	340	2300	23	
5	RS306-1-Q1Z-125A690V		125	605	4100	28	
6	RS306-1-Q1Z-160A690V		160	1100	7400	35	
7	RS306-1-Q1Z-200A690V		200	1700	11000	43	
8	RS306-1-Q1Z-250A690V		250	3200	20800	50	
9	RS306-1-Q1Z-315A690V		315	6200	39000	55	
10	RS306-1-Q1Z-350A690V		350	8600	55000	60	
11	RS306-1-Q1Z-400A690V		400	14000	88000	65	
12	RS306-1-Q1Z-450A690V		450	19300	118000	70	
13	RS306-1-Q1Z-500A690V		500	26800	169000	72	
14	RS306-1-Q1Z-550A690V		550	35800	226000	75	
15	RS306-1-Q1Z-630A690V		630	51800	336000	82	
16	RS306-1-Q1Z-700A690V		700	70700	455000	94	
17	RS306-1-Q1Z-800A690V		800	110000	720000	98	
18	RS306-2-Q1Z-400A690V	2	400	11800	74000	60	Mounting M12 Bolt Torque 38N.m
19	RS306-2-Q1Z-450A690V		450	18000	105000	64	
20	RS306-2-Q1Z-500A690V		500	25000	143000	69	
21	RS306-2-Q1Z-550A690V		550	31500	190000	74	
22	RS306-2-Q1Z-630A690V		630	42800	275000	79	
23	RS306-2-Q1Z-700A690V		700	60800	403000	90	
24	RS306-2-Q1Z-800A690V		800	87000	563000	106	
25	RS306-2-Q1Z-900A690V		900	126000	805000	110	
26	RS306-2-Q1Z-1000A690V		1000	175000	1080000	115	
27	RS306-2-Q1Z-1100A690V		1100	227000	1430000	120	
28	RS306-2-Q1Z-1250A690V	1250	355000	2150000	128		
29	RS306-3-Q1Z-500A690V	3	500	18000	94000	90	Mounting M12 Bolt Torque 38N.m
30	RS306-3-Q1Z-550A690V		550	22500	134000	95	
31	RS306-3-Q1Z-630A690V		630	35600	199000	100	
32	RS306-3-Q1Z-700A690V		700	51000	286000	105	
33	RS306-3-Q1Z-800A690V		800	82300	460000	110	
34	RS306-3-Q1Z-900A690V		900	110000	665000	118	
35	RS306-3-Q1Z-1000A690V		1000	163000	960000	123	
36	RS306-3-Q1Z-1100A690V		1100	220000	1270000	128	
37	RS306-3-Q1Z-1250A690V		1250	303000	1750000	135	
38	RS306-3-Q1Z-1400A690V		1400	392000	2195000	155	
39	RS306-3-Q1Z-1500A690V		1500	464000	2598000	160	
40	RS306-3-Q1Z-1600A690V		1600	543000	3050000	163	
41	RS306-3-Q1Z-1800A600V		*1800	876000	4360000	168	
42	RS306-3-Q1Z-2000A600V		*2000	1140000	5180000	175	

Note: default with indicator base; "N" means no indicator e.g. RS306-1-Q1Z-630A690V-N

2.T-With visual indicator, e.g.: RS306-1-Q1Z-630A690V-T

3.* Rated Voltage 600V

AC690V(IEC)/AC700V(UL) 50A-2000A(Q1Z)

Dimensions (mm)
Outline Size


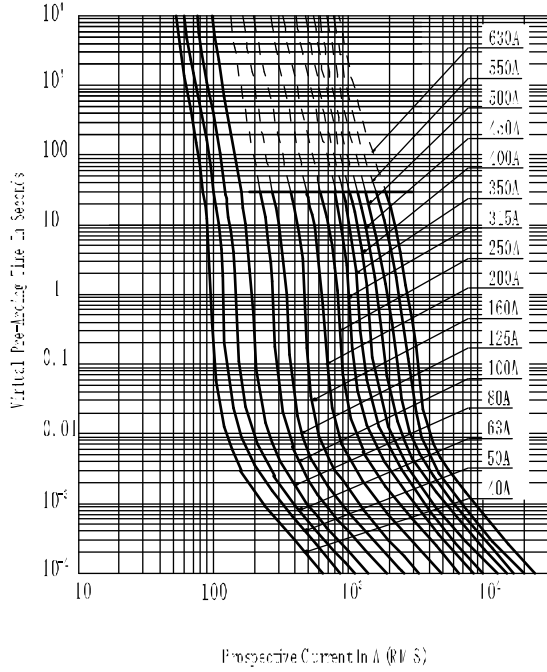
Size	A \pm 2	B \pm 2	B1 \pm 2	C \pm 2.5	D \pm 2	F \pm 0.5	H \pm 0.5
1	50	71	109	135	51	25	11
2	50	75	110	135	60	32	14
3	51	75	110	136	74	38	16

AC690V(IEC)/AC700V(UL) 40A-2000A

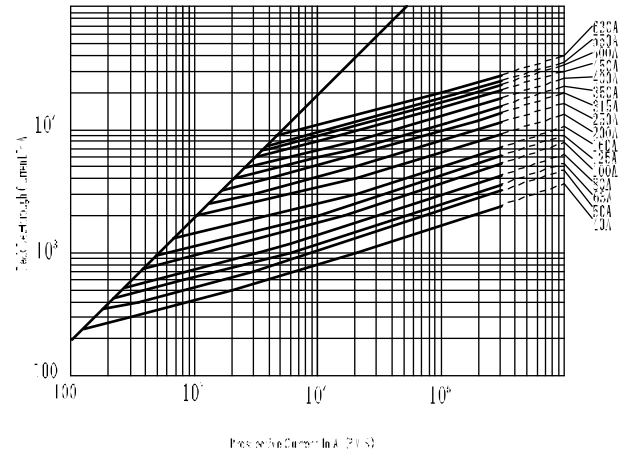


Characteristic Curves

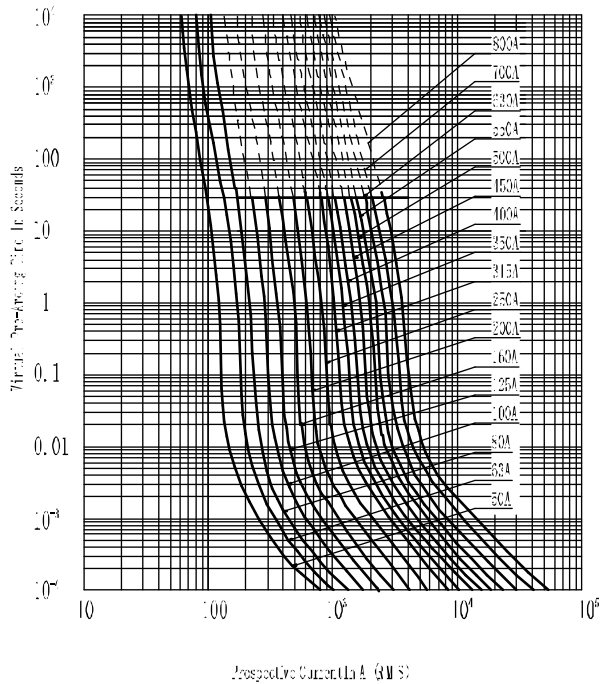
Size 01 Time Current



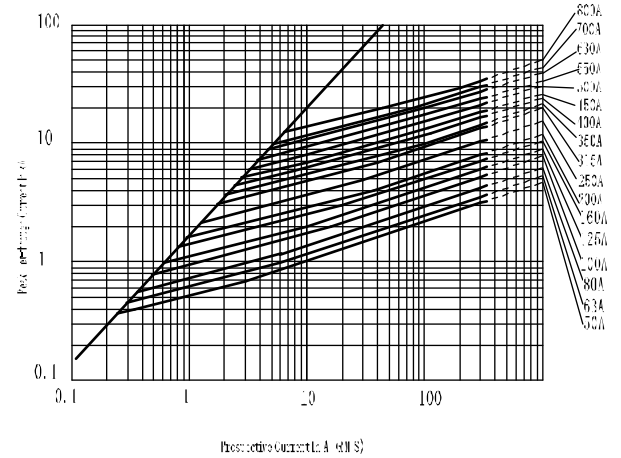
Size 01 Peak Let Through



Size 1 Time Current



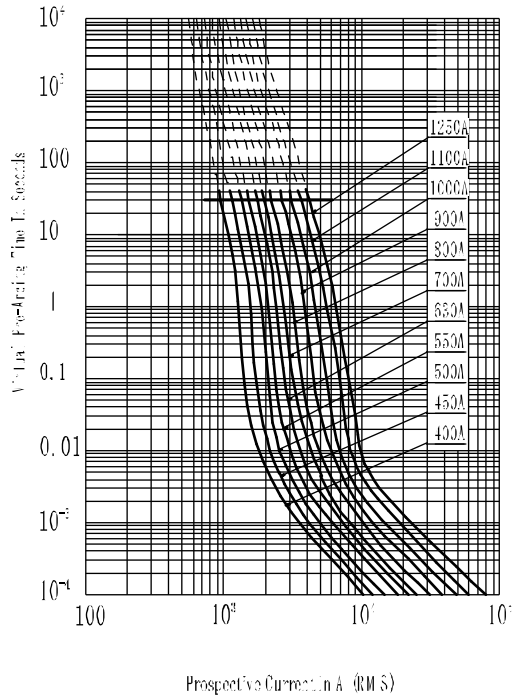
Size 1 Peak Let Through



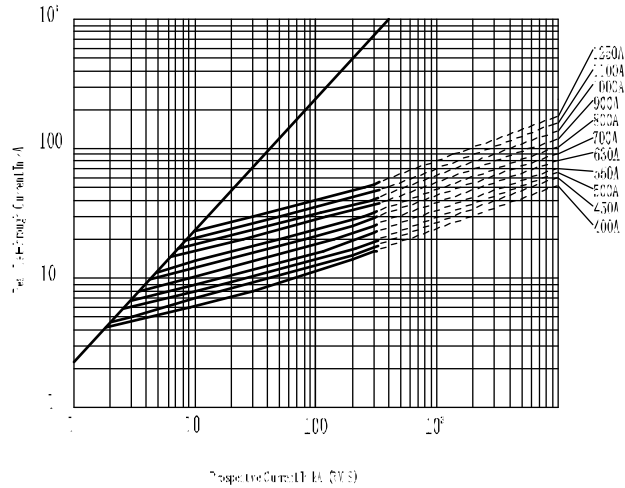
AC690V(IEC)/AC700V(UL) 40A-2000A



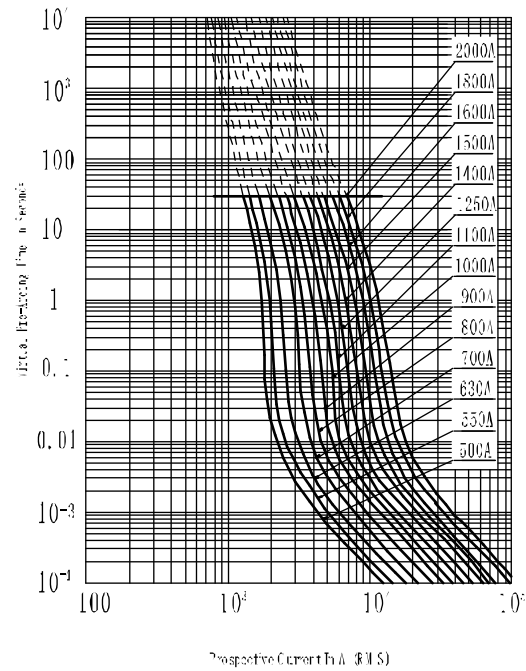
Size 2 Time Current



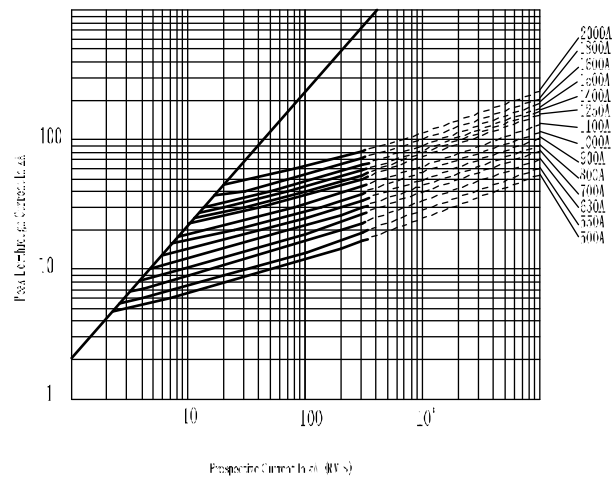
Size 2 Peak Let Through



Size 3 Time Current



Size 3 Peak Let Through



AC1250V(IEC)/DC1000V(UL) 32-1400A (T5Z)
Basics

- Rated Voltage: AC1250V/DC1000V
 - Rated Current: 32~1400A
 - Type: aR (UL)
 - AC Frequency: 45~62Hz
 - Conform to IEC60269 /UL248, and GB/T 31465 for road vehicle safety and environment reliability.
 - CE and RoHS Compliant, Size 01 (50A-400A、DC1000V)is UL certified
- Interrupting Rating: AC 100kA /DC 50kA (L/R=10~15ms)
- With super strong terminal connection, the design satisfies usage condition on road and rail conditions. Suitable for traction system, power converter, power storage, capacitor, charger etc. This fuse functions as short circuit and backup protection.

	Part Number	Size	Current A	I ² t (A ² s)		Loss W	Mounting
				Prearc	Clearing		
1	RS306-01-T5Z-32A1250V	01	32	55	425	12.5	Bolt M8 Torque: 11N.m
2	RS306-01-T5Z-40A1250V		40	90	695	13.5	
3	RS306-01-T5Z-50A1250V		50	140	1050	15	
4	RS306-01-T5Z-63A1250V		63	220	1700	18	
5	RS306-01-T5Z-80A1250V		80	420	3300	22	
6	RS306-01-T5Z-100A1250V		100	760	5900	28	
7	RS306-01-T5Z-125A1250V		125	1500	11400	32	
8	RS306-01-T5Z-160A1250V		160	2600	20800	39	
9	RS306-01-T5Z-200A1250V		200	5200	40000	44	
10	RS306-01-T5Z-250A1250V		250	9200	72500	49	
11	RS306-01-T5Z-315A1250V		315	18600	150000	58	
12	RS306-01-T5Z-350A1250V		350	27100	209000	63	
13	RS306-01-T5Z-400A1250V		400	52000	305000	70	
14	RS306-1-T5Z-160A1250V-D	1	160	1850	15000	45	Bolt M10 Torque: 21N.m
15	RS306-1-T5Z-200A1250V-D		200	3600	29800	50	
16	RS306-1-T5Z-250A1250V-D		250	7700	61000	58	
17	RS306-1-T5Z-315A1250V-D		315	14800	118000	64	
18	RS306-1-T5Z-350A1250V-D		350	19000	160000	70	
19	RS306-1-T5Z-400A1250V-D		400	29000	230000	75	
20	RS306-1-T5Z-450A1250V-D		450	41800	330000	79	
21	RS306-1-T5Z-500A1250V-D		500	69000	430000	85	
22	RS306-1-T5Z-550A1250V-D		550	94800	585000	95	
23	RS306-1-T5Z-630A1100V-D		*630	128000	658000	100	
24	RS306-2-T5Z-250A1250V-D	2	250	6400	51000	63	Bolt M10 Torque: 21N.m
25	RS306-2-T5Z-280A1250V-D		280	9300	74000	68	
26	RS306-2-T5Z-315A1250V-D		315	12850	104500	73	
27	RS306-2-T5Z-350A1250V-D		350	16000	134500	78	
28	RS306-2-T5Z-400A1250V-D		400	22800	178500	83	
29	RS306-2-T5Z-450A1250V-D		450	33000	268500	88	
30	RS306-2-T5Z-500A1250V-D		500	47500	378500	93	
31	RS306-2-T5Z-550A1250V-D		550	61500	490000	98	
32	RS306-2-T5Z-630A1250V-D		630	110000	728000	108	
33	RS306-2-T5Z-700A1250V-D		700	158000	1048500	115	

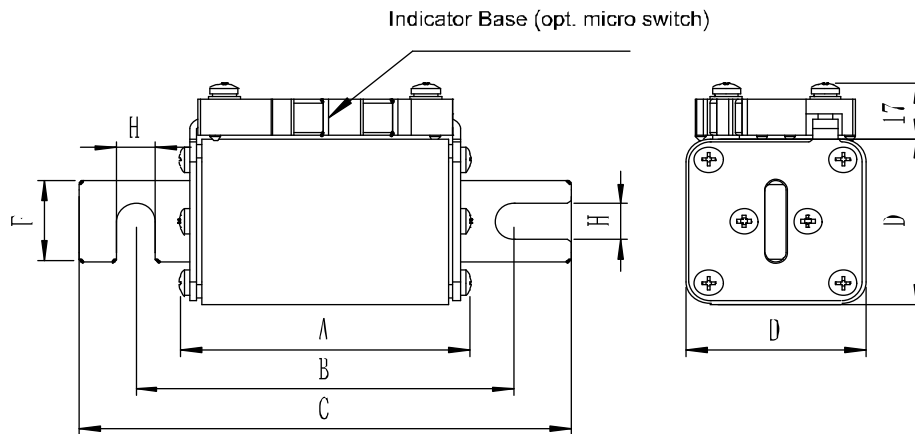
AC1250V(IEC)/DC1000V(UL) 32-1400A (T5Z)

	Part Number	Size	Current A	I ² t (A ² s)		Loss W	Mounting
				Prearc	Clearig		
34	RS306-2-T5Z-800A1250V-D	3	800	244800	1548000	119	Bolt M10 Torque 21N.m
35	RS306-2-T5Z-900A1100V-D		*900	358000	1698000	124	
36	RS306-2-T5Z-1000A1100V-D		*1000	478000	2348000	134	
37	RS306-3-T5Z-315A1250V-D		315	9700	56000	83	
38	RS306-3-T5Z-350A1250V-D		350	14000	80000	88	
39	RS306-3-T5Z-400A1250V-D		400	20000	110000	94	
40	RS306-3-T5Z-450A1250V-D		450	31500	175000	98	
41	RS306-3-T5Z-500A1250V-D		500	40000	220000	103	
42	RS306-3-T5Z-550A1250V-D		550	55000	310000	108	
43	RS306-3-T5Z-630A1250V-D		630	84000	480000	114	
44	RS306-3-T5Z-700A1250V-D		700	118000	680000	118	
45	RS306-3-T5Z-800A1250V-D		800	210000	980000	123	
46	RS306-3-T5Z-900A1250V-D		900	308000	1400000	130	
47	RS306-3-T5Z-1000A1250V-D		1000	455000	2000000	134	
48	RS306-3-T5Z-1100A1250V-D		1100	580000	2650000	139	
49	RS306-3-T5Z-1250A1100V-D	*1250	805800	3948550	144		
50	RS306-3-T5Z-1400A1100V-D	*1400	1249800	5980000	149		

Note: * rated voltage reduced to AC1100V/DC800V.

default with indicator base; Add-N for no indicator base, e.g. RS306-1-T5Z-200A1250V-DN

T-With visual indicator, e.g. RS306-1-T5Z-200A1250V-DT

Dimensions(mm)
Outline Size


Size	A ± 2	B ± 2.5	C ± 3	D ± 1.5	H ± 0.5	F ± 0.5
01	78	105.5	138	43	9	20
1	81	107	139	51	11	25
2	81	107	139	60	11	32
3	81	107	139	74	11	32

AC1250V(IEC)/DC1000V(UL) 50A-1400A (S5P)


	Part Number	Size	Current A	I ² t (A ² s)		Loss W	Mounting
				Prearc	Clearing		
1	RS306-01-S5P-50A1250V-D	01	50	140	1050	15	Bolt M8 Torque 10N. m
2	RS306-01-S5P-63A1250V-D		63	220	1700	18	
3	RS306-01-S5P-80A1250V-D		80	420	3300	22	
4	RS306-01-S5P-100A1250V-D		100	760	5900	28	
5	RS306-01-S5P-125A1250V-D		125	1500	11400	32	
6	RS306-01-S5P-160A1250V-D		160	2600	20800	39	
7	RS306-01-S5P-200A1250V-D		200	5200	40000	44	
8	RS306-01-S5P-250A1250V-D		250	9200	72500	49	
9	RS306-01-S5P-315A1250V-D		315	18600	150000	58	
10	RS306-01-S5P-350A1250V-D		350	27100	209000	63	
11	RS306-01-S5P-400A1250V-D		400	52000	305000	70	
12	RS306-1-S5P-160A1250V-D	1	160	1850	15000	45	Bolt M8 Torque 10N. m
13	RS306-1-S5P-200A1250V-D		200	3600	29800	50	
14	RS306-1-S5P-250A1250V-D		250	7700	61000	58	
15	RS306-1-S5P-315A1250V-D		315	14800	118000	64	
16	RS306-1-S5P-350A1250V-D		350	19000	160000	70	
17	RS306-1-S5P-400A1250V-D		400	29000	230000	75	
18	RS306-1-S5P-450A1250V-D		450	41800	330000	79	
19	RS306-1-S5P-500A1250V-D		500	69000	430000	85	
20	RS306-1-S5P-550A1250V-D		550	94800	585000	95	
21	RS306-1-S5P-630A1100V-D		*630	128000	658000	100	
22	RS306-2-S5P-250A1250V-D		2	250	6400	51000	
23	RS306-2-S5P-280A1250V-D	280		9300	74000	68	
24	RS306-2-S5P-315A1250V-D	315		12850	104500	73	
25	RS306-2-S5P-350A1250V-D	350		16000	134500	78	
26	RS306-2-S5P-400A1250V-D	400		22800	178500	83	
27	RS306-2-S5P-450A1250V-D	450		33000	268500	88	
28	RS306-2-S5P-500A1250V-D	500		47500	378500	93	
29	RS306-2-S5P-550A1250V-D	550		61500	490000	98	
30	RS306-2-S5P-630A1250V-D	630		110000	728000	108	
31	RS306-2-S5P-700A1250V-D	700		158000	1048500	115	
32	RS306-2-S5P-800A1250V-D	800		244800	1548000	119	
33	RS306-2-J5P-900A1100V-D	*900	358000	1698000	124		
34	RS306-2-J5P-1000A1100V-D	*1000	478000	2348000	134		
35	RS306-3-S5P-315A1250V-D	3	315	9700	56000	83	Bolt M12 Torque 26 N. m
36	RS306-3-S5P-350A1250V-D		350	14000	80000	88	
37	RS306-3-S5P-400A1250V-D		400	20000	110000	94	
38	RS306-3-S5P-450A1250V-D		450	31500	175000	98	
39	RS306-3-S5P-500A1250V-D		500	40000	220000	103	
40	RS306-3-S5P-550A1250V-D		550	55000	310000	108	
41	RS306-3-S5P-630A1250V-D		630	84000	480000	114	
42	RS306-3-S5P-700A1250V-D		700	118000	680000	118	
43	RS306-3-S5P-800A1250V-D		800	210000	980000	123	

AC1250V(IEC)/DC1000V(UL) 50A-1400A (S5P)

	Part Number	Size	Current A	I ² t (A ² s)		Loss W	Mounting
				Prearc	Clearing		
44	RS306-3-S5P-900A1250V-D		900	308000	1400000	130	
45	RS306-3-S5P-1000A1250V-D		1000	455000	2000000	134	
46	RS306-3-S5P-1100A1250V-D		1100	580000	2650000	139	
47	RS306-3-J5P-1250A1100V-D		*1250	805800	3948550	144	
48	RS306-3-J5P-1400A1100V-D		*1400	1249800	5980000	149	

Note: * rated voltage reduced to AC1100V/DC800V.

default with indicator base; Add-N for no indicator base, e.g. RS306-01-S5P-200A1250V-DN

T-With visual indicator, e.g.: RS306-01-S5P-200A1250V-DT

Dimensions (mm)

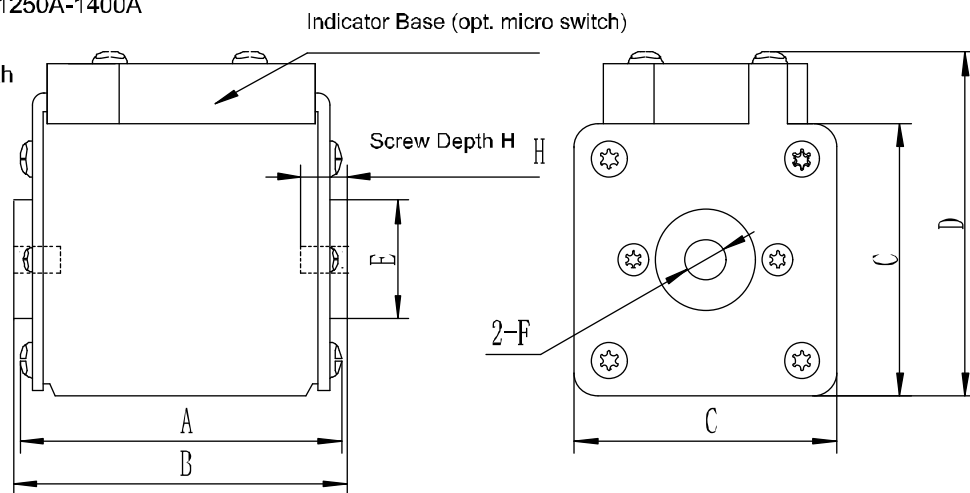
Note: Size 2 900A-1000A

B 91

Size 3 1250A-1400A



B 91

H: depth



Size	A ± 2	B ± 2.5	C ± 2	D ± 3	E ± 1	F	H ± 1
01	78	81	43	59	Φ17	M8	7
1	80	81	51	69	Φ20	M8	9
2	80	81(91)	60	77	Φ 24.5	M10	11
3	80	82(91)	74	92	Φ30	M12	12

Recommended Installation

Mounting	Description	Bolt Type	Nut Max Torque
	Bus connect: as illustrated, directed perpendicular to socket	M8×30 & M8×35	13.5
		M10×30 & M10×50	26
M12×35 & M12×50		46	
		M8×30 & M8×35	13.5
		M10×30 & M10×50	26
		M12×35 & M12×50	46

AC1250V(IEC)/DC1000V(UL) 160A-1400A (Q5Z)



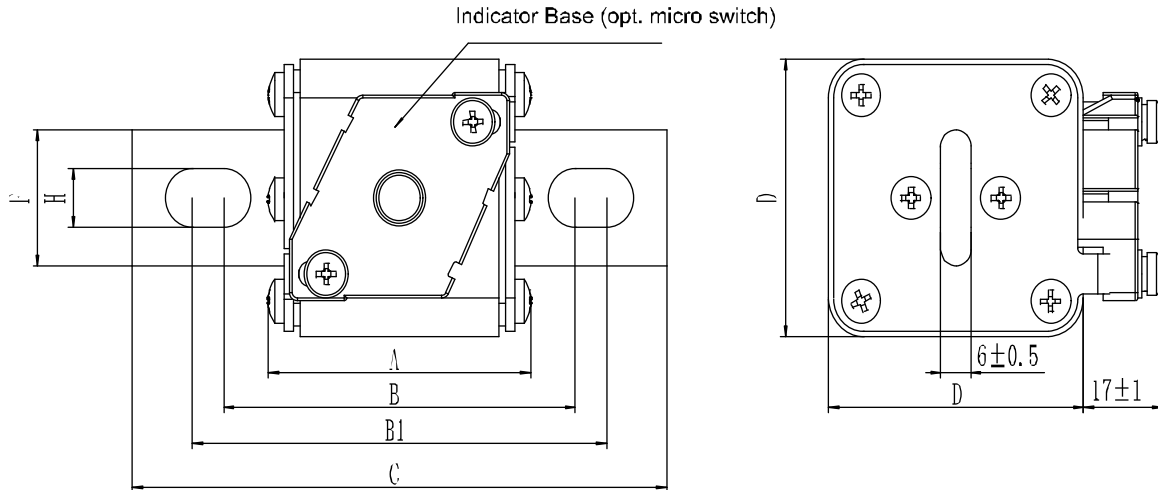
	Part Number	Size	Current A	I ² t (A ² s)		Loss W	Mounting
				Prearc	Clearing		
1	RS306-1-Q5Z-160A1250V-D	1	160	1850	15000	45	Mounting M10 Bolt Torque 21 N.m
2	RS306-1-Q5Z-200A1250V-D		200	3600	29800	50	
3	RS306-1-Q5Z-250A1250V-D		250	7700	61000	58	
4	RS306-1-Q5Z-315A1250V-D		315	14800	118000	64	
5	RS306-1-Q5Z-350A1250V-D		350	19000	160000	70	
6	RS306-1-Q5Z-400A1250V-D		400	29000	230000	75	
7	RS306-1-Q5Z-450A1250V-D		450	41800	330000	79	
8	RS306-1-Q5Z-500A1250V-D		500	69000	430000	85	
9	RS306-1-Q5Z-550A1250V-D		550	94800	585000	95	
10	RS306-1-Q5Z-630A1100V-D		*630	128000	658000	100	
11	RS306-2-Q5Z-250A1250V-D	2	250	6400	51000	63	Mounting M12 Bolt Torque 38 N.m
12	RS306-2-Q5Z-280A1250V-D		280	9300	74000	68	
13	RS306-2-Q5Z-315A1250V-D		315	12850	104500	73	
14	RS306-2-Q5Z-350A1250V-D		350	16000	134500	78	
15	RS306-2-Q5Z-400A1250V-D		400	22800	178500	83	
16	RS306-2-Q5Z-450A1250V-D		450	33000	268500	88	
17	RS306-2-Q5Z-500A1250V-D		500	47500	378500	93	
18	RS306-2-Q5Z-550A1250V-D		550	61500	490000	98	
19	RS306-2-Q5Z-630A1250V-D		630	110000	728000	108	
20	RS306-2-Q5Z-700A1250V-D		700	158000	1048500	115	
21	RS306-2-Q5Z-800A1250V-D	800	244800	1548000	119		
22	RS306-2-Q5Z-900A1100V-D	*900	358000	1698000	124		
23	RS306-2-Q5Z-1000A1100V-D	*1000	478000	2348000	134		
24	RS306-3-Q5Z-315A1250V-D	3	315	9700	56000	83	Mounting M12 Bolt Torque 38 N.m
25	RS306-3-Q5Z-350A1250V-D		350	14000	80000	88	
26	RS306-3-Q5Z-400A1250V-D		400	20000	110000	94	
27	RS306-3-Q5Z-450A1250V-D		450	31500	175000	98	
28	RS306-3-Q5Z-500A1250V-D		500	40000	220000	103	
29	RS306-3-Q5Z-550A1250V-D		550	55000	310000	108	
30	RS306-3-Q5Z-630A1250V-D		630	84000	480000	114	
31	RS306-3-Q5Z-700A1250V-D		700	118000	680000	118	
32	RS306-3-Q5Z-800A1250V-D		800	210000	980000	123	
33	RS306-3-Q5Z-900A1250V-D		900	308000	1400000	130	
34	RS306-3-Q5Z-1000A1250V-D		1000	455000	2000000	134	
35	RS306-3-Q5Z-1100A1250V-D		1100	580000	2650000	139	
36	RS306-3-Q5Z-1250A1100V-D		*1250	805800	3948550	144	
37	RS306-3-Q5Z-1400A1100V-D	*1400	1249800	5980000	149		

Note: 1.* rated voltage reduced to AC1100V/DC800V.

2. default with indicator base; Add-N for no indicator base, e.g. RS306-1-Q5Z-200A1250V-DN

T-With visual indicator, e.g.: RS306-1-Q5Z-200A1250V-DT

AC1250V(IEC)/DC1000V(UL) 160A-1400A (Q5Z)

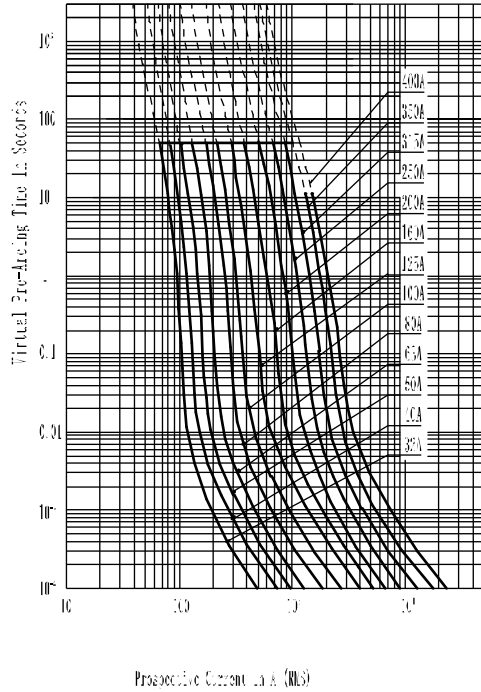
Dimensions (mm)
Outline Dimensions


Size	A ±2	B ±2	B1 ±2	C ±2.5	D ±2	H ±0.5	F ±0.5
1	80	101	139	165	51	11	25
2	80	105	140	165	60	14	32
3	80	105	140	166	74	16	38

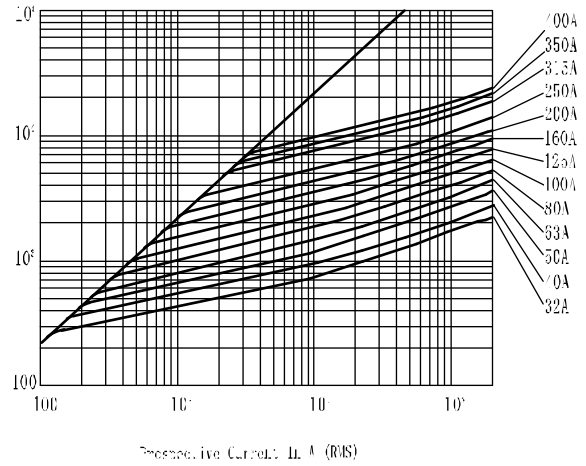
AC1250V(IEC)/DC1000V(UL)

Characteristic Curves

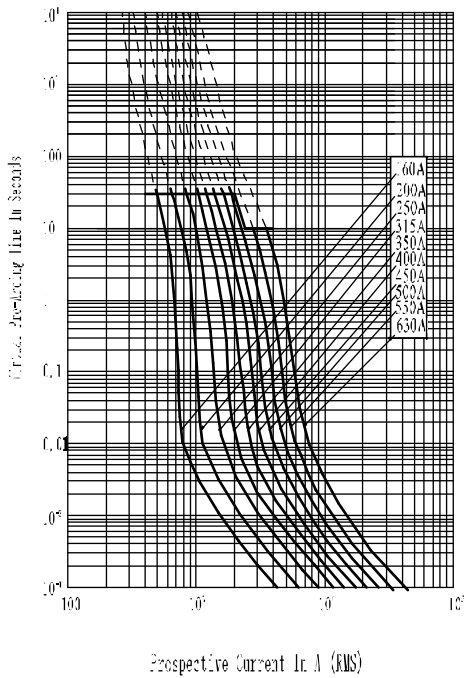
Size 01 Time Current



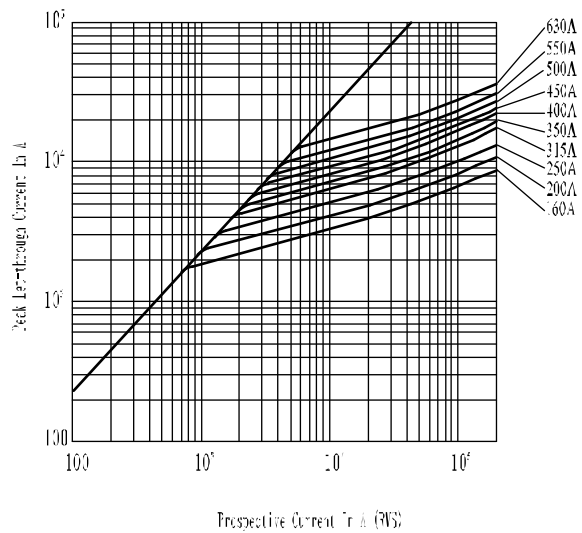
Size 01 Peak Let Thru



Size 1 Time Current

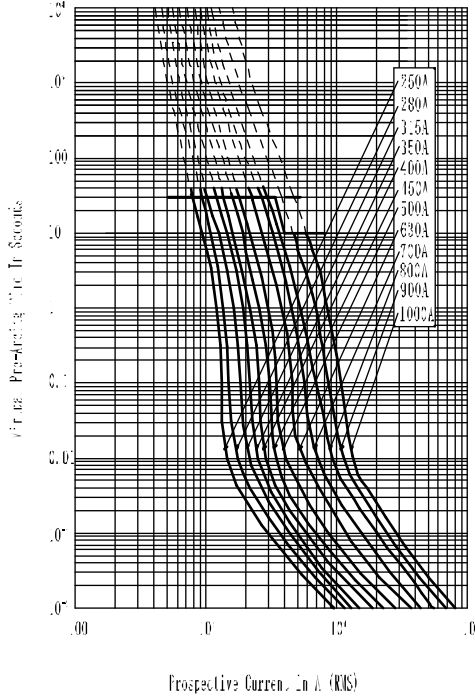


Size 1 Peak Let Thru

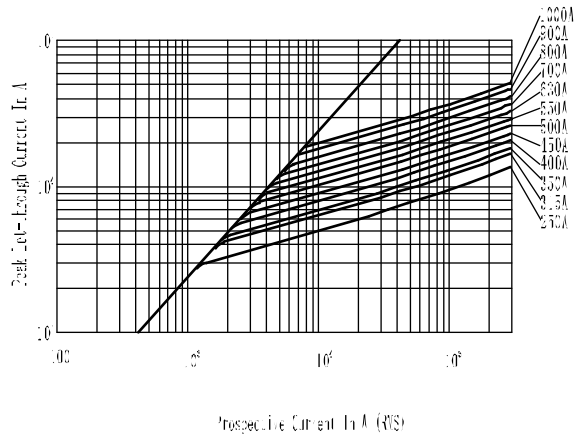


AC1250V(IEC)/DC1000V(UL)

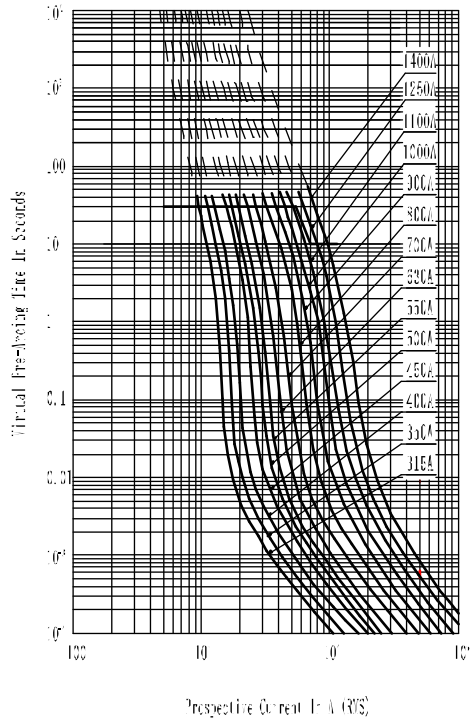
Size 2 Time Current



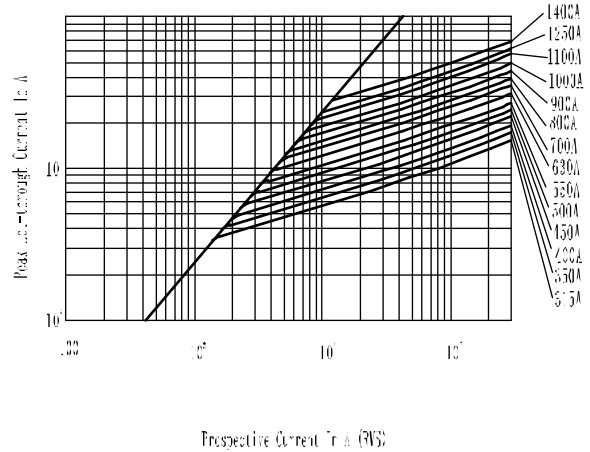
Size 2 Peak Let Through



Size 3 Time Current



Size 3 Peak Let Through





 029-68590655  029-68590676

西安市高新区锦业路69号创业研发园A区12号现代企业中心东区3-10303
3-10303, Modern Enterprise Center, A-12Pioneer Park, No. 69Jinye Rd, Hightech Zone, Xi'an